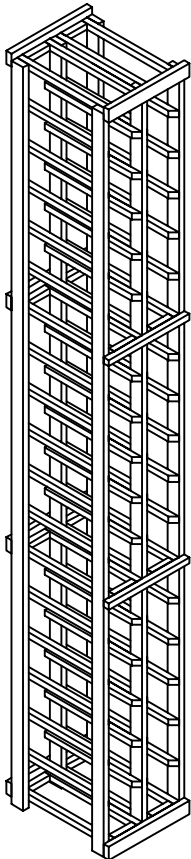


Assembly instructions for 7ft Champ/Mag Module.

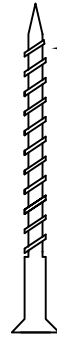
Fasteners.

Tools needed:

- (1) Hammer
- (1) Power drill
- (1) Level
- *Suggested 18 gauge Brad Gun with 1/4" brad nails will make install easier.



Parts List:



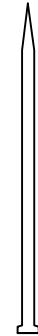
- (8) 2 1/2" Phillips screws for attaching to wall.
- (3) 1/4" Joining Screws to attach to other modules.



- (8) Drywall Inserts

MGCH 7

(36) nails



(1) drill bit



Rosehill Wine Cellars
Toll Free: 1-888-253-6807
www.rosehillwinecellars.com

Assembly instructions for 7ft Mag/Champ Module. Racking.

MGCH-7

The bottoms of the panels are marked "bottom" with an ink stamp.

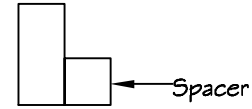
(1) Left End Ladder 84"

(1) Middle Ladders 84"

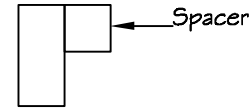
(1) Right End Ladders 84"

Angled ends on front. Square ends on back.

Side view of spacerbars "up" position



Side view of spacerbars "down" position

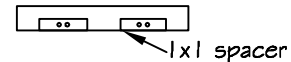


Note the BACK spacerbar is determined by the nails showing from the 1x2 side used to attach the 1x2 to the 1x1 spacer. FRONT spacerbar has the nails showing on the 1x1 spacer.

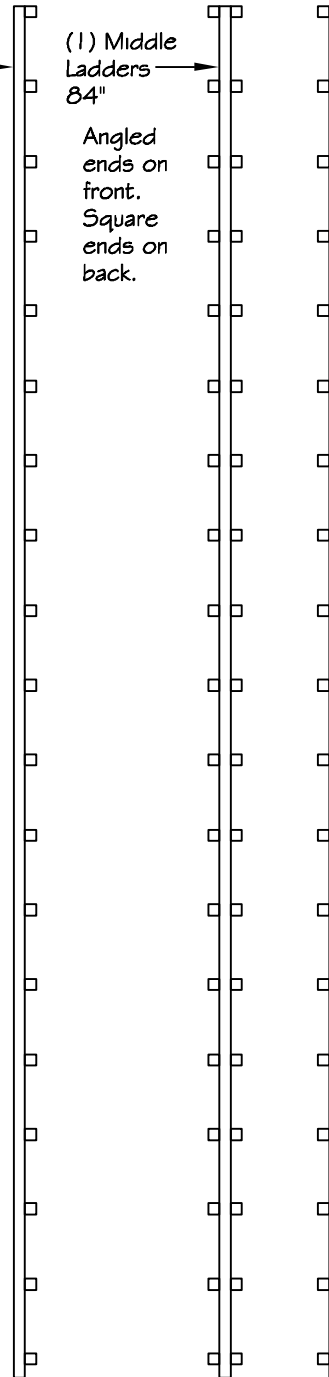
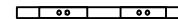
(5) 1x2 Back Spacerbar 10½"



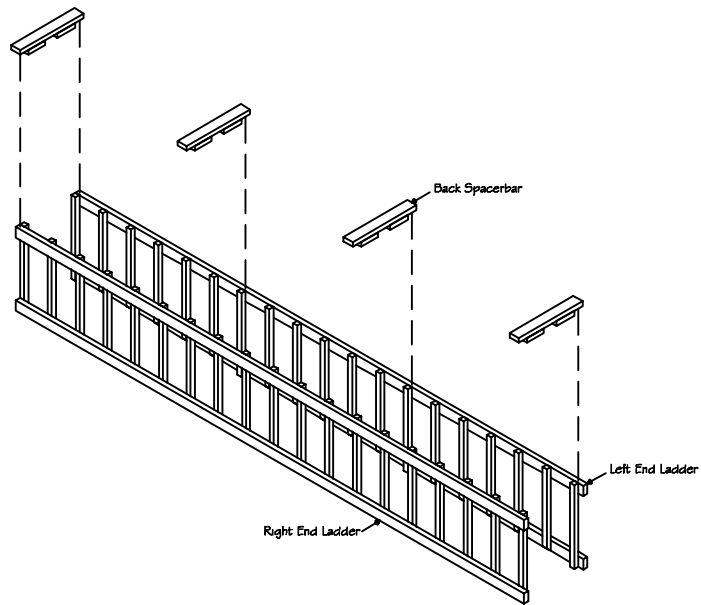
(2) 1x2 Front Spacerbar 10½"



(2) 1x1 Front Spacerbar 10½"



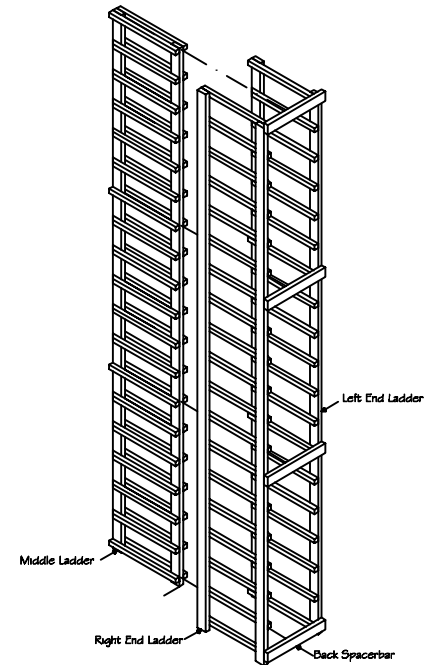
step 1



Step 1: (Attaching back spacerbars)

Take the right and left end ladders making sure the angled rails are facing the floor. Then take all five of the 1x2 BACK spacerbars and nail them to the end ladders at the 1st, 7th, 13th, and 19th rungs. The spacerbars need to be "up" so that the small block of wood is towards the floor.

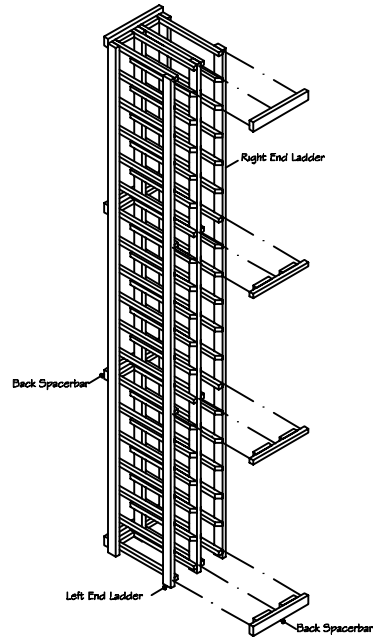
step 2



Step 2: (Attaching middle ladder to back spacerbars)

Stand up the rack. Insert the middle ladder into the slots of the spacer bar as shown. Nail the middle ladder onto the spacer bars as shown with the nails provided.

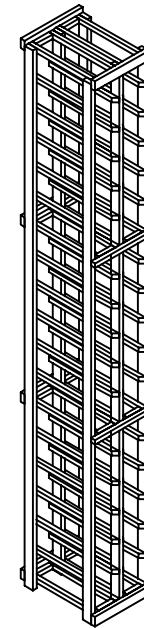
step 3



Step 3: (Attaching 1x2 x 1x1 front spacerbars)

Starting from the bottom, place a 1x2 spacerbar on the 1st and 19th rungs, and a 1x1 spacerbar at the 7th and 13th rung. Place one nail into each ladder to secure into place. All but the bottom spacerbar needs to be "up" so that the small block of wood is towards the floor.

step 4 Finish



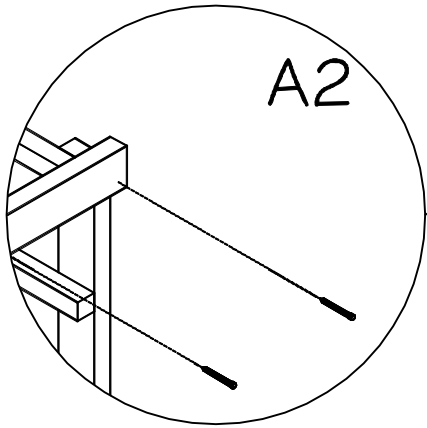
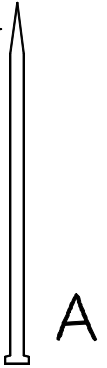
Step 4: (Finish)

Fasten rack to wall with 2 1/2" screws through the back spacerbars and using a level to make sure the rack is mounted square on the wall.

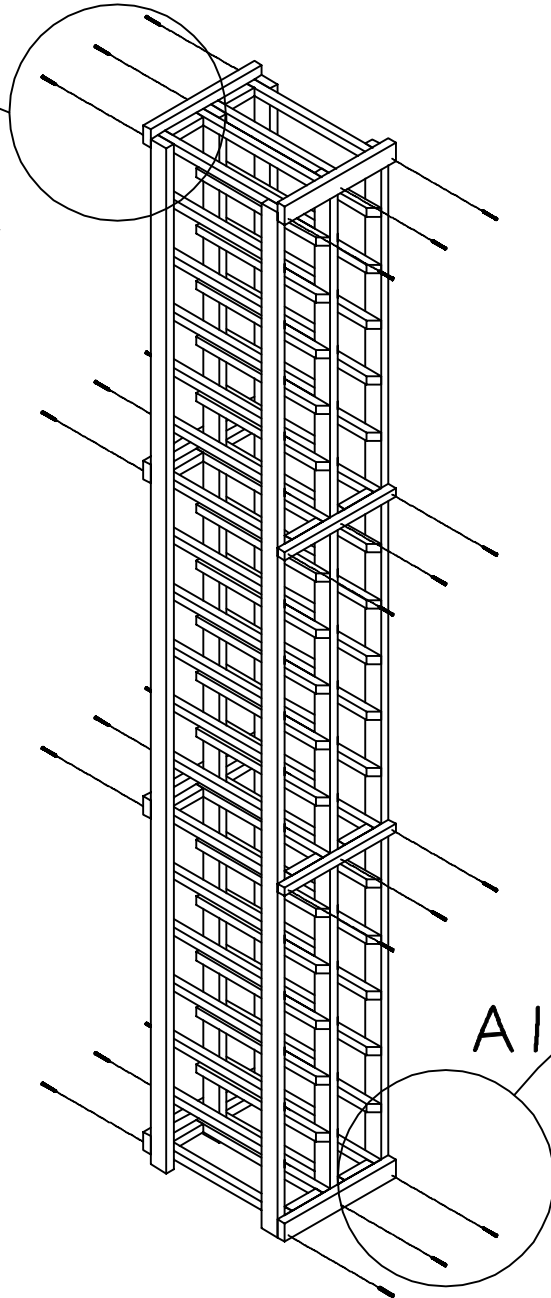
Fastener Placement Guide

(36) nails

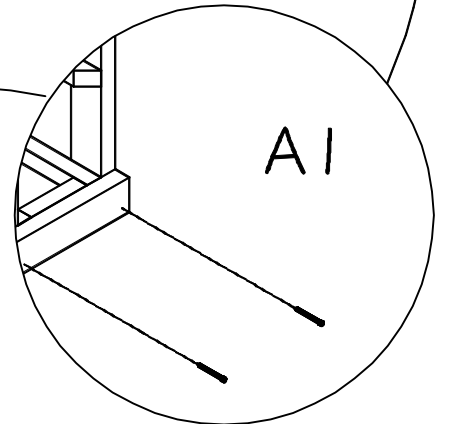
-Nail one at every point where the front and back spacer bars intersect a ladder as shown.



A2



A1



A1