



## **SINGLE ZONE CELLAR WC194FGB5(L)**



## **INSTRUCTION MANUAL**

*This manual contains important information including safety and installation instructions of the appliances. Please read it carefully before use and follow all safety informations & instructions.*

*It is recommended to keep this manual for easy reference so that you can be familiar with the operation of the appliance.*

## --CONTENTS--

IMPORTANT SAFETY INFORMATION.....	16
STRUCTURE AND INSTALLATION .....	17
PREPARATION BEFORE OPERATING .....	18
UNPACKING AND CLEANING THE CELLAR .....	18
LOCK & UNLOCK THE DOOR.....	18
OPERATING THE CELLAR .....	19
WORKING CLIMATE.....	19
WINE STORAGE .....	19
CONTROL PANEL AND TEMPERATURE SETTING .....	20
DISPLAY WINDOW .....	21
TEMPERATURE FOR SERVING WINE.....	21
MAINTENANCE ONCE A YEAR .....	21
CLEANING THE CELLAR.....	21
POWER FAILURE .....	22
MOVING THE CELLAR .....	22
ENERGY SAVING TIPS.....	22
TROUBLESHOOTING .....	22
WARRANTY REGISTRATION CARD .....	25

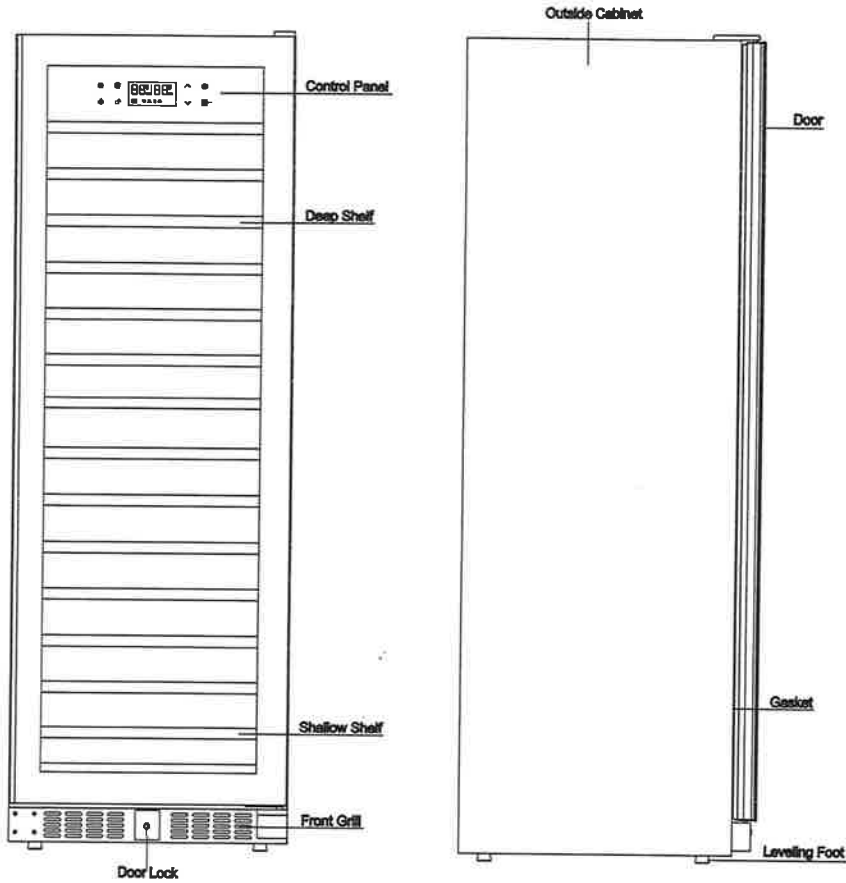
## **IMPORTANT SAFETY INFORMATION**

Before using the appliance, please properly position and install it as described in this manual. To avoid the risk of fire, electrical shock, or injury when using the appliance, follow these basic precautions:

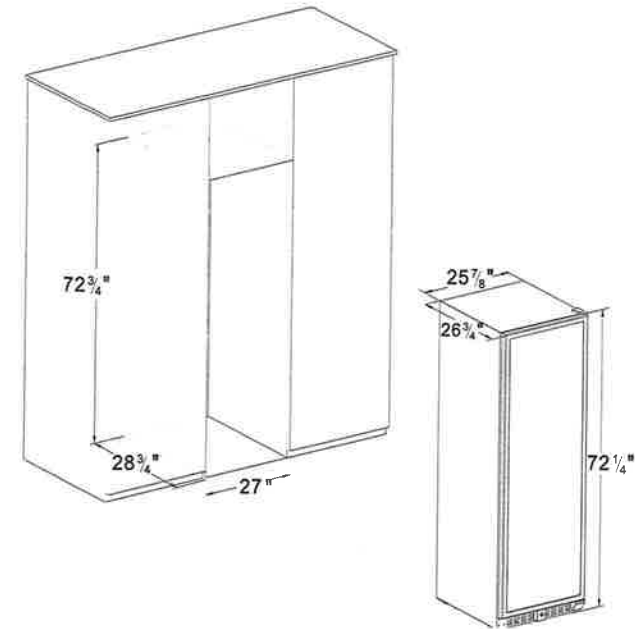
- The appliance is intended to be used exclusively for the storage of wine.
- Make sure the voltage/current marked on the rating label corresponds with your supply voltage. Plug into a grounded 3-pin outlet, do not remove grounding pin, do not use an adapter, and do not use an extension cord.
- It is recommended that a separate circuit, serving only your appliance be provided.
- Never clean the appliance parts with flammable fluids which may create a fire hazard or explosion. And do not store or use gasoline or other flammable vapors and liquids in the vicinity of the appliance.
- Do not connect or disconnect the electric plug when your hands are wet.
- Unplug the appliance or disconnect power before cleaning, maintenance or servicing. Failure to do so can result in electrical shock or death.
- Do not attempt to repair or replace any part of the appliance unless it is specifically recommended in this manual. All other servicing should be referred to a qualified technician.
- Ensure enough people to move and install the appliance to avoid any damage to the appliance or injury to the people.
- To ensure proper ventilation for the appliance, the front of the unit must be completely unobstructed. Locate the unit away from direct sunlight and sources of heat (stove, heater, radiator, etc.).
- The fuse (or circuit breaker) size should be 15 amps or higher.
- It is important for the appliance to be leveled in order to work properly. You may adjust the appliance's feet to level it.
- This appliance intended for use by persons with sufficient experience and knowledge of electrical appliances. Any other persons (including children) should be supervised or given instruction concerning use of the appliance by a person responsible for their safety.
- Children should be supervised to ensure that they do not play with the appliance.
- Do not use solvent-based cleaning agents or abrasives on the interior. These cleaners may damage or discolor the interior.
- Do not use this appliance for other than its intended purpose.
- The use of a Power COND not recommended by the manufacturer may be hazardous.
- When you dispose the appliance, take off the door and leave the shelves in place so that children may not easily climb inside. And make sure the coolant circuit, particularly the heat exchanger at the back/bottom of the unit is not damaged. The symbol on the product or its packaging indicates that this product is not to be handled as normal household waste and it is to be taken to a recycling collection point for electrical and electronic goods.

## STRUCTURE AND INSTALLATION

### STRUCTURE



### INSTALLATION DRAWING



### PREPARATION BEFORE OPERATING

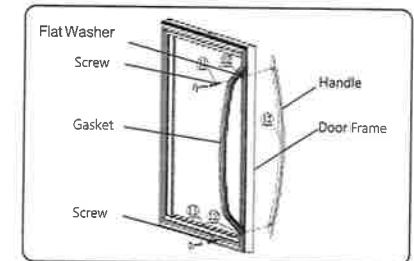
#### UNPACKING AND CLEANING THE CELLAR

- Remove the exterior and interior packing materials.
- Let the appliance stand upright for approximately **24 hours** before connecting it to the power source, which helps to reduce the possibility of a cooling-system malfunction from handling during transportation.
- Use a soft cloth to clean the interior surface with water.
- Install the door handle provided with the appliance by following these steps:

1st Step - Remove the gasket on the internal door to expose the two screw holes.

2nd Step - Install the handle with the screws and washers provided.

3rd Step - Restore the gasket.



#### LOCK & UNLOCK THE DOOR

- Insert the key into the lock and turn it counter-clockwise to unlock the door. To lock it, please follow the reversed operation. Please save the key well.

## OPERATING THE CELLAR

### WORKING CLIMATE

- The appliance is designed for operating from SN to N climate (see below climate class chart). It is recommended to maintain the ambient around 22-25°C (71-77°F) which helps the appliance working with low power consumption.

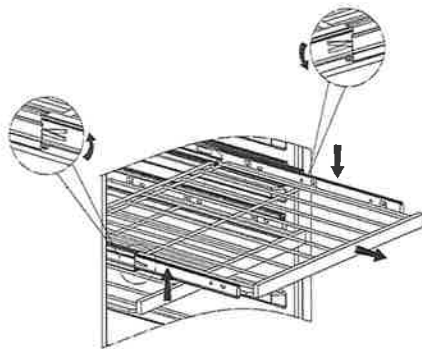
Climate Class	Ambient Temperature
SN	10 - 32 °C (50-90°F)
N	16 - 32 °C (61-90°F)
ST	18-38 °C (64-100°F)
T	18-43 °C (64-109°F)

- If the ambient temperature is above or below the designed climate range, the performance of the unit may be affected. For example, the appliance operating in extreme cold or hot conditions may cause interior temperatures to fluctuate, and the temperature set 5-22°C may not be reached sometimes.

### WINE STORAGE

#### REMOVING THE TELESCOPIC SHELF

- Remove all bottles.
- Pull out the shelf as far as possible
- Hold one of the telescopic shelves with one hand and the other hand, gently lift the front of the shelf by the front tab, then push back to unlock the rear hook.
- Repeat with the other side.



- To prevent damaging the door gasket, make sure to have the door opened fully all the way before pulling the shelves out.
- Please store wine in sealed bottles.
- Do not cover the shelves with aluminum foil or any other shelf material which may prevent air circulation.
- Should the cellar be left empty for long periods it is suggested that the appliance is unplugged. After careful cleaning, leave the door open to allow air to circulate inside the cabinet in order to avoid possible condensation, mold or odors forming.

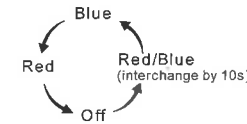
## OPERATING YOUR WINE CELLAR

Your wine cellar has a control panel with display window on the front of the door. It includes several features to operate and control the temperature of the wine cellar.



### (a) Control Panel and Temperature Setting

- POWER :** Press to turn on the control panel back light buttons if they are off.
  - To turn off your wine cellar for cleaning or extended absence, press the power button once. After the unit beeps once, hold the power button for 10 seconds and your wine cellar will shut itself off. Once the wine cellar has been turned off, please allow at least 5 minutes before starting up again. This will limit excessive wear on the compressor.
- UNLOCK:** Press for 3 seconds to unlock the control panel.
- LIGHT:** Your wine cellar comes equipped with 3 different lighting options: Red, Blue, or a Red & Blue cycle where the color changes every 10 seconds. Press the light button once and the lights will run on a 10-second cycle, alternating between Red & Blue. Press the light button again and the color will change to only Blue. Press the light button again and the color will change to Red. Finally, pressing a button a 4<sup>th</sup> time will turn off the lights.



- °C/°F:** Press to alter the temperature display in Fahrenheit or Celsius.
- SET:** Press to select temperature. The digital display flashes to inform the accessibility to adjust setting.
- TEMP. UP:** Press to increase setting temperature by 1°.
- TEMP. DOWN:** Press to decrease setting temperature by 1°.
- SET-RANGE SELECT:** Press to change the temperature set-range among E,F,H,L, and leave it for 3 seconds to confirm your option. Your wine cellar is originally set as "H", the ideal temperature for the storage of red wine.

Display	Set-range
E	41-72°F (5-22°C)
F	36-68°F (2-20°C)
H	50-66°F (10-19°C)
L	32-68°F (0-20°C)

#### Note:

The control panel will lock automatically when left untouched for 15 seconds. Make sure to unlock the control panel before setting. With the exception of the **power button**, all other buttons' back light will turn off when the control panel is left untouched for 15 seconds.

**(b) Display Window**



**54** SET TEMP. Set temperature of the wine cellar.

**66** ACTUAL TEMP. Actual temperature of the wine cellar.

**ON** or **OFF**

The display window can be set to the off position for a less obtrusive appearance. Your wine cellar will continue to run, but the wine cellars display window will not be visible. You can check the temperature of the wine cellar by pressing the **power button**.

To set the display window to either on or off, press °C/°F button for 5 seconds while the control panel is locked.

Once the ON/OFF indicator flashes, press °C/°F a second time to enter into the option interface. "ON" will show the display window at all times while "OFF" will turn off the display window. Leave the control panel untouched for 5 seconds to confirm your option.

**Note:** Temperatures may fluctuate depending on whether the interior light is ON or OFF and depending on the position of the bottles.

**Before you start:** The wine cellar should be placed in a location where the ambient temperature is between 60-80° Fahrenheit. If the ambient temperature is outside this range, the performance of the unit may be affected. For example, placing your unit in extreme cold or hot conditions may cause interior temperatures to fluctuate.

**(c) Temperature for Serving Wine**

Although optimal storage temperature is generally regarded to be 53-57°F, different varieties of wine have different recommended serving temperatures for optimal taste. The recommended temperature ranges for serving different varieties of wine are listed below.

- Red Wines: 60-66°F
- White Wines 45-52°F
- Sparkling Wines 40-45°F

**Note:**

- If the unit is unplugged, loses power, or is turned off, you must wait 5 minutes before restarting. Attempting to restart the wine cellar before this time has elapsed may prevent the wine cellar from starting.
- When you use the wine cellar for the first time or restart the wine cellar after having been shut off for a long time, there will be a few degrees variance between the temperature you select and the one indicated on the LED readout for the first few hours of operation. After a few hours of operation, the temperature will normalize to the displayed temperature.

**MAINTENANCE ONCE A YEAR**

**CLEANING THE CELLAR**

- Turn off the power, unplug the appliance, and remove all items including shelves.
- Wipe the inside surfaces with a sponge and baking soda solution. The solution should be about 2 tablespoons of baking soda to 1 quart (approx. 1 liter) of warm water.
- Wash the shelves with a mild detergent solution. Allow wooden shelves to dry before placing back into the cellar.
- Wring excess water out of the sponge or cloth when cleaning area of the controls, or any electrical parts.
- Wipe the outside cabinet with warm water and mild liquid detergent. Wipe dry with a

clean soft cloth.

- Do not use steel wool or steel brush on the stainless steel. These will scratch the stainless steel with steel particles and rusting may occur.
- Replace the active charcoal filter, it will preserve the efficiency of your wine cellar over the years

**POWER FAILURE**

Most power failures are corrected within a few hours and should not affect the temperature of your appliance if you minimize the number of times of door opening. If the power is going to be off for a longer period of time, you need to take the proper steps to protect your contents.

**MOVING THE CELLAR**

- Remove all items.
- Securely tape down all loose items (shelves) inside your appliance.
- Turn the adjustable leg up to the base to avoid damage.
- Tape the door to shut.
- Be sure the appliance stays secure in the upright position during transportation. Also protect outside of appliance with a blanket, or similar item.

**ENERGY SAVING TIPS**

- The cellar should be located away from heat producing appliances, and away from direct sunlight.
- Ensure that the unit is adequately ventilated. Never cover air vents.
- Only open the door when necessary. Avoid leaving the door open for long periods or opening/closing the door frequently.

**TROUBLE SHOOTING**

If you feel the appliance is not working properly, follow these instructions to try to see if you can solve the problem simply by yourself before calling for service.

No.	PROBLEMS	POSSIBLE PROBLEMS/ CAUSE / MEASURE
1	The cellar does not operate	Not plugged in. The appliance is turned off. The circuit breaker tripped or a blown fuse. It is recommended to use an exclusive 15 amperes circuit breaker for your cellar.
2	The cellar is not cold enough	Check the temperature control setting. External environment may require a higher setting. The door is opened too frequently. The door is not closed completely. The door gasket does not seal properly.
3	Sometimes the temperature of my cellar varies from 3-4 degrees, is it normal?	It is normal, variation of temperature are required to operate the cellar. When the defrost cycle starts, the temperature increase of some degrees. When the refrigeration system starts, the temperature becomes cooler. These changes are perform on short periods of time. Their influences are too small to affect the preservation of your wines.

No.	PROBLEMS	POSSIBLE PROBLEMS/ CAUSE / MEASURE
4	My cellar doesn't keep his temperature and the compressor starts often?	Does your cellar is at least 50% full? Your cellar is in operation for more than 48 hours?
5	Automatically turn-on and turn-off frequently	The room temperature is hotter than normal. A large amount of contents has been added to the cellar. The door is opened too frequently. The door is not closed completely. The temperature control is not set correctly. The door gasket does not seal properly.
6	The lighting does not work	Not plugged in. The circuit breaker tripped or a blown fuse. The lighting is turned off.
7	Too much vibration	Check to assure that the appliance is level. Check to assure no parts inside the cabinet or in the compressor chamber are loose.
8	The cellar seems to make too much noise	The rattling noise may come from the flow of the refrigerant, which is normal. As each cycle ends, you may hear gurgling sounds caused by the flow of refrigerant. Contraction and expansion of the inside walls may cause popping and crackling noises. The appliance is not level.
9	The door will not close properly.	The cellar is not level. The door was reversed and not properly installed. The gasket is dirty. The shelves are out of position.
10	The door is not at level with the cabinet	Adjust the legs at the front of the cellar until the door is at level with the cabinet.
11	The door is opening by itself	It is probably because the guide is not equal to the « L » piece. Make sure the cellar is at level.
12	A shelf is not at level	Make sure the guide are well engage
13	After inserting the key the cellar still lock	The handle(lock) is not notch or the nut is not equal to the « L » piece. Make sure the door is at level with the cabinet
14	There is water on the cellar floor	Make sure the drain is in the evaporation tray in the back of the cellar. If so, during humid temperature, you might have to wipe off the excess in the tray with a sponge
15	Accumulation of water inside the cellar?	This phenomena might occurs in summer, reason of humidity. Verify if the door seal is hermetic. It is recommended during humid temperature to wipe off the excess of water inside the cellar.

No.	PROBLEMS	POSSIBLE PROBLEMS/ CAUSE / MEASURE
16	Frost on the evaporator?	It is normal when the water vapor freeze, However when the cooling cycle is finish, the ice will become water.
17	Steaming/humidity between the thermal windows	During summer with humid temperature, this situation might occurs.
18	The display window is shown with "HH" or "LL" instead of a digital figure, and/or with continuous buzz sound.	The temperature probe is out of order.

### **Your PLATINUM Wine Cell'R warranty**

This quality product is warranted to be free from manufacturer's defects in material and workmanship, provided that the unit is used under normal operating conditions intended by the manufacturer. A proof of original purchase date is requires and serial number to process any warranty. All repairs are performed by our authorized servicers subject to the condition and exclusions stated below. This warranty is applicable in Canada only.

#### **Limited 2 years warranty on parts and labor:**

For 2 years from the date of purchase, Wine Cell'R at its option, will repair or replace any part of the unit, which proves to be defective in material or workmanship under normal use. During this period Wine Cell'R will provide all parts and labor necessary to correct such defects free of charge.

#### **Limited 3 years warranty on compressor :**

For the 2 years from the date of purchase Wine Cell'R will replace the defective compressor free of charge as long the unit has been installed and operated in accordance with the written instructions supplied with the appliance. During this period Wine Cell'R will cover the service labor and freight charges to correct such defect.

For the third year Wine Cell'R will provide a replacement compressor free of charge. The buyer will be responsible for the service labor and freight charges. As may be requires, cost to move the wine cellar to the servicer's shop and back to the user's are the user's responsibility.

#### **Extended warranties may be available for an additional cost at the time of purchase, please contact your retail store for more details.**

During the Limited Warranty Period, Wine Cell'R will, at its sole discretion, repair or replace any wine cellar not operating within the manufacturer's specifications. All costs for labor and materials shall be covered during the Limited Warranty Period. If Wine Cell'R deems the wine cellar is not repairable, Wine Cell'R will use the value of your original order toward a replacement. Wine Cell'R reserves the right to substitute materials of substantially similar quality in the event that identical materials are not available at the time the services are performed.

#### **Conditions :**

Plastic parts are warranted for thirty (30) days only from purchase date, with no extension provided.


#### **What is not covered by the Wine Cell'R warranty :**

- Service trip to your home to teach you how to use the product.
- Improper installation (i.e building-in of a free standing appliance or using an appliance outdoors that is not approved for outdoor application)
- Any content loss.

- Replacement of house fuses or resetting circuit breakers of you residence.
- Damage to the product caused by accident, fire, floods, theft, acts of God or inadequate maintenance.
- No problem found.
- Punctured evaporator voids the warranty on the complete sealed system.
- Repairs performed by unauthorized servicers by Wine Cell'R
- Damage in transit or when moving the appliance.
- All charges related to a product not accessible to provide required assistance.
- Service calls that do not involve defects in material or workmanship such as customer door reversal or installation of the appliance.
- Incidental or consequential damage caused by possible defects with this appliance.
- Improper power supply such as voltage, defective house wiring or inadequate fuses.
- Inadequate room air circulation or usage in extreme temperature (too high, too low versus recommended temperature)

Purchaser understands and acknowledges that the goods purchased are wine cellars, which house wines. Purchaser assumes all risk of using this unit, including risk of spoilage, humidity variations, temperature variations, leaks, water damage, mold, dryness and similar perils that might occur to the wines.

Thank you for purchasing our Wine Cell'R product. We are proud to have you as a customer. Complete your consumer product ownership registration today to activate your warranty. Just fill the application. You could return it by post or by e-mail at [SAV@eurocel.com](mailto:SAV@eurocel.com) or by fax at 450-688-2324

Wine CELL'R		WARRANTY REGISTRATION CARD CARTE D'ENREGISTREMENT DE GARANTIE	
<input type="text"/>		<input type="text"/>	
First Name / Prénom		Last Name / Nom	
<input type="text"/>			
Address / Adresse		City / Ville	Postal Code / Code Postal
<input type="text"/>		<input type="text"/>	
Tel / Tél.		Email / Courriel	
<input type="text"/>		<input type="text"/>	
Purchase Date / Date d'achat		Purchased From / Acheté par	
<input type="text"/>		<input type="text"/>	
Sérial Number / Numéro de série		www.winecellr.ca	
Send to / Expédier à :		Warranty must be active within 30 days of purchase. La garantie doit être enregistrée dans les 30 jours suivant l'achat.	
 <b>Exclusive Distributor</b> <b>Distributeur Exclusif</b> <b>Wine Cell'R Canada</b>		<input type="text"/>	
3208 Autoroute Laval, Ouest Laval (Québec) H7T 2H6 Tel / Tél. : 450-688-0068 Toll Free / Sans frais 1-877-847-9467		<input type="text"/>	
		Signature	