

***EXTERIOR HOUSING  
FOR SPLIT SYSTEMS USING R-134a  
ASSEMBLY INSTRUCTIONS***

**Components provided:**

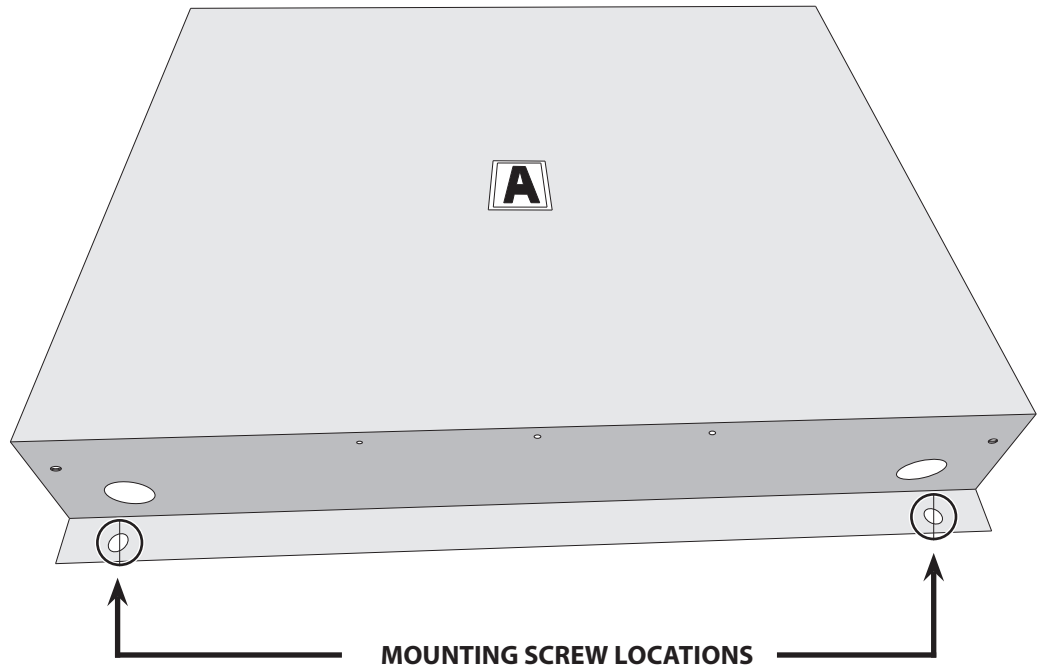
- (10) Sheet metal panels:
  - A panel (1)
  - B panel (2)
  - C panel (1)
  - D panel (2)
  - E panel (2)
  - F panel (2)
- (50) 5/16" hex-head screws (42 used)
- (5) wing bolts (4 used)

**Tools required:**

- (1) Power drill
- (1) 5/16" nut driver

**STEP 1:**

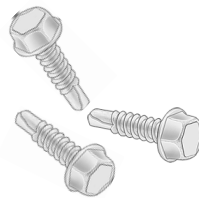
Locate panel "A" and place upright on a workbench as shown.



**NOTE:** The distance between the centers of the mounting screw holes is 22" (length) by 21½" (width).

**STEP 2:**

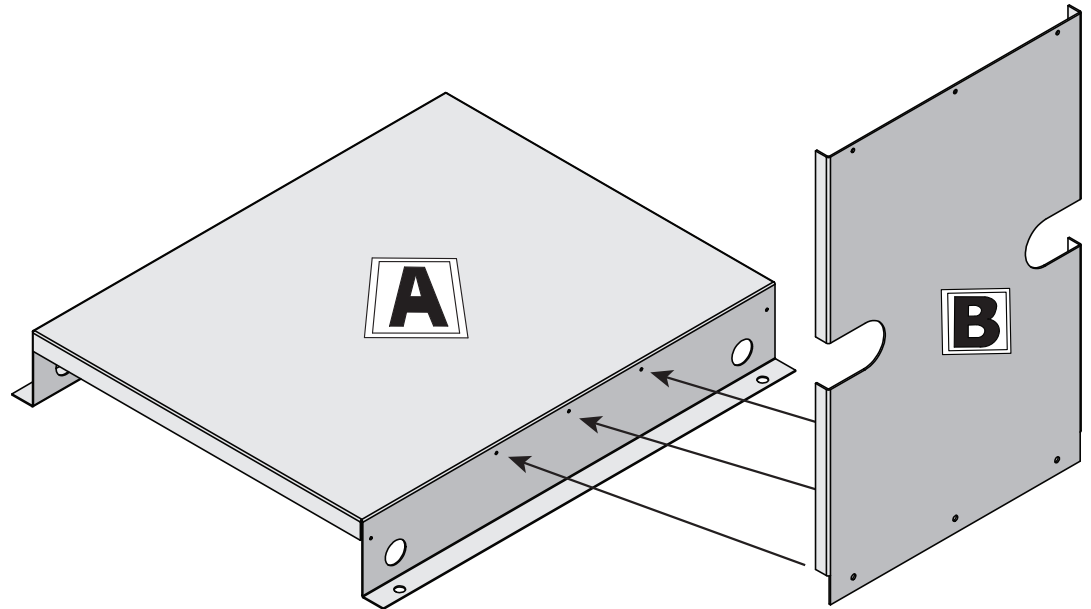
Locate supplied package of 5/16" hex-head screws.



**REMINDER:** The condensing unit and its exterior housing must be mounted on a concrete pad. The dimensions of the pad will vary according to state and local ordinances. Check your local laws to determine the proper size of the concrete pad.

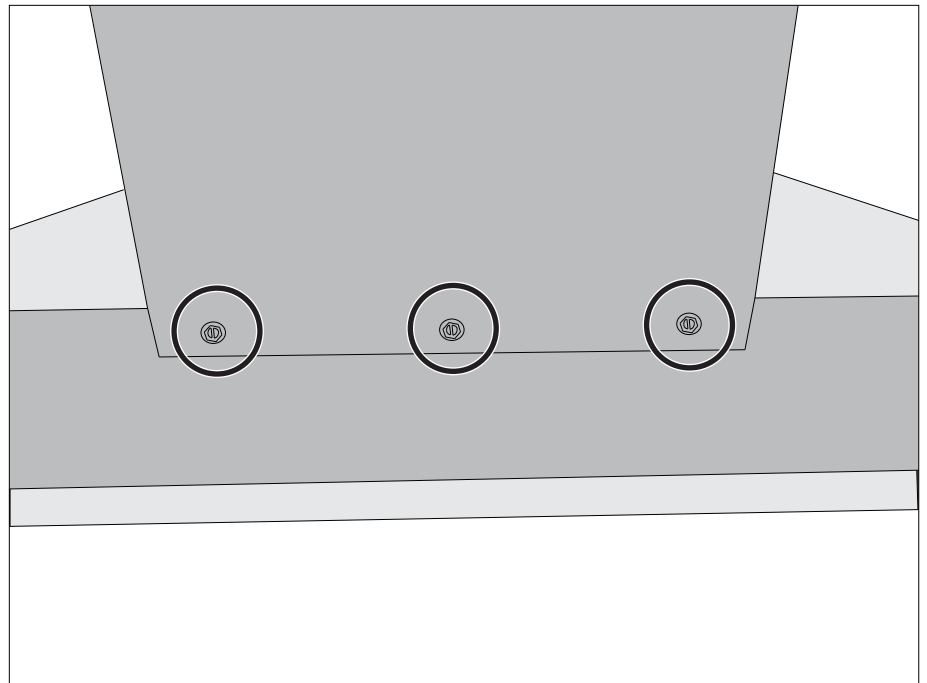
### STEP 3 :

Position one of the "B" panels on panel "A" in the orientation shown.



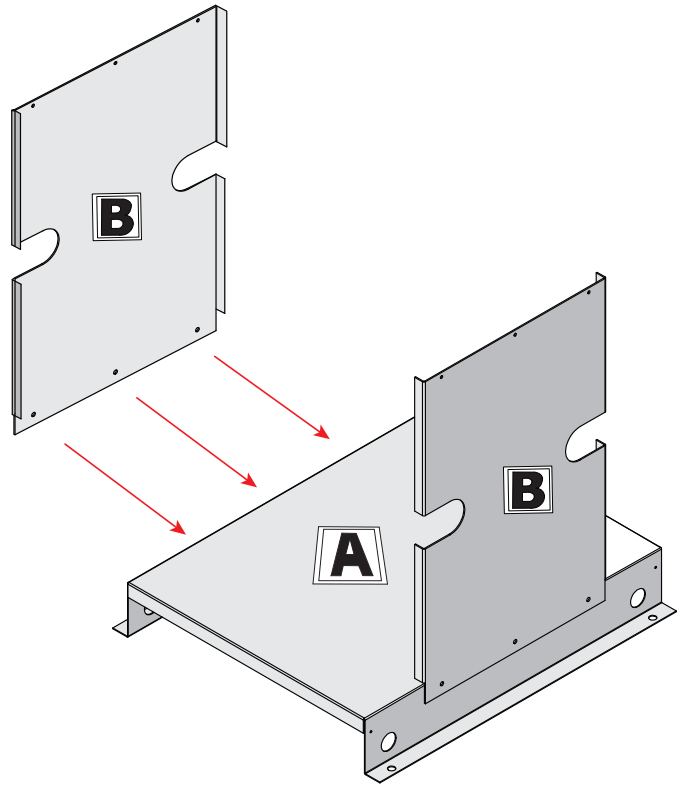
### STEP 4 :

Using the drill and the  $\frac{5}{16}$ " nut driver, secure panel "B" to panel "A" using three of the provided screws as shown.



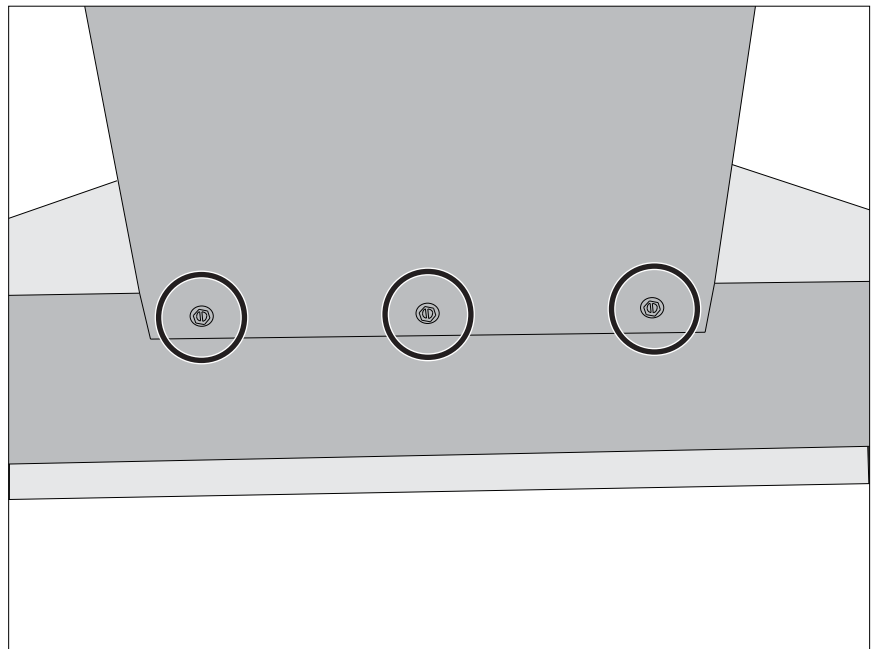
## STEP 5:

Position the other panel labeled "B" on the opposite edge of the panel "A" as shown.



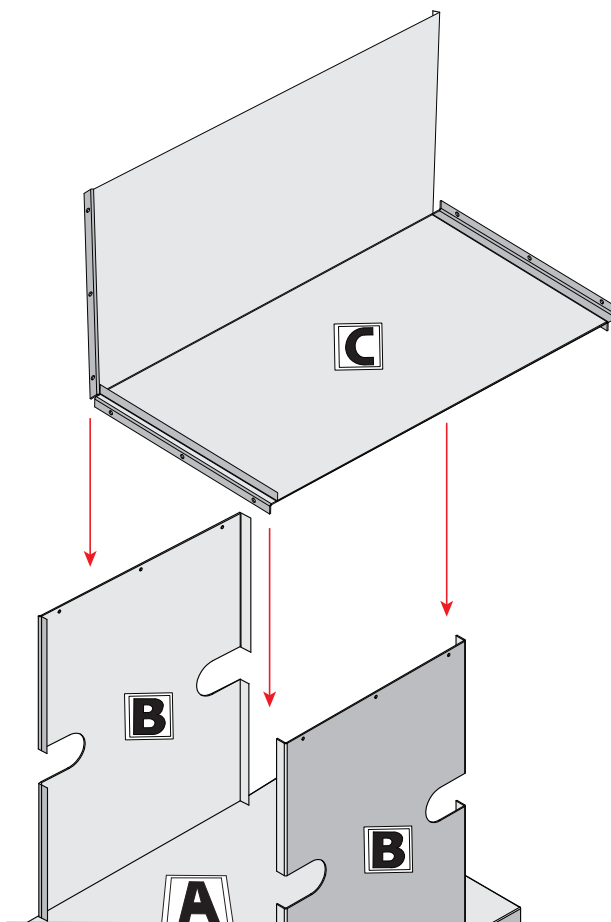
## STEP 6:

Secure the second "B" panel to panel "A" with three of the provided screws as shown.



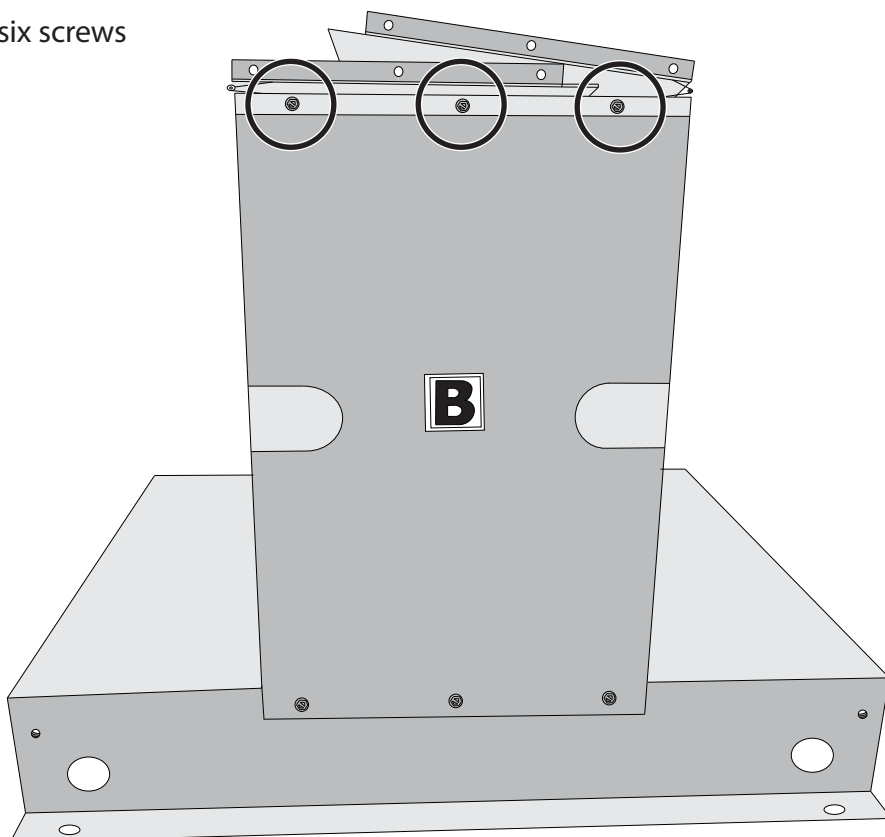
## STEP 7:

Place panel "C" on the top edge of both "B" panels as shown.



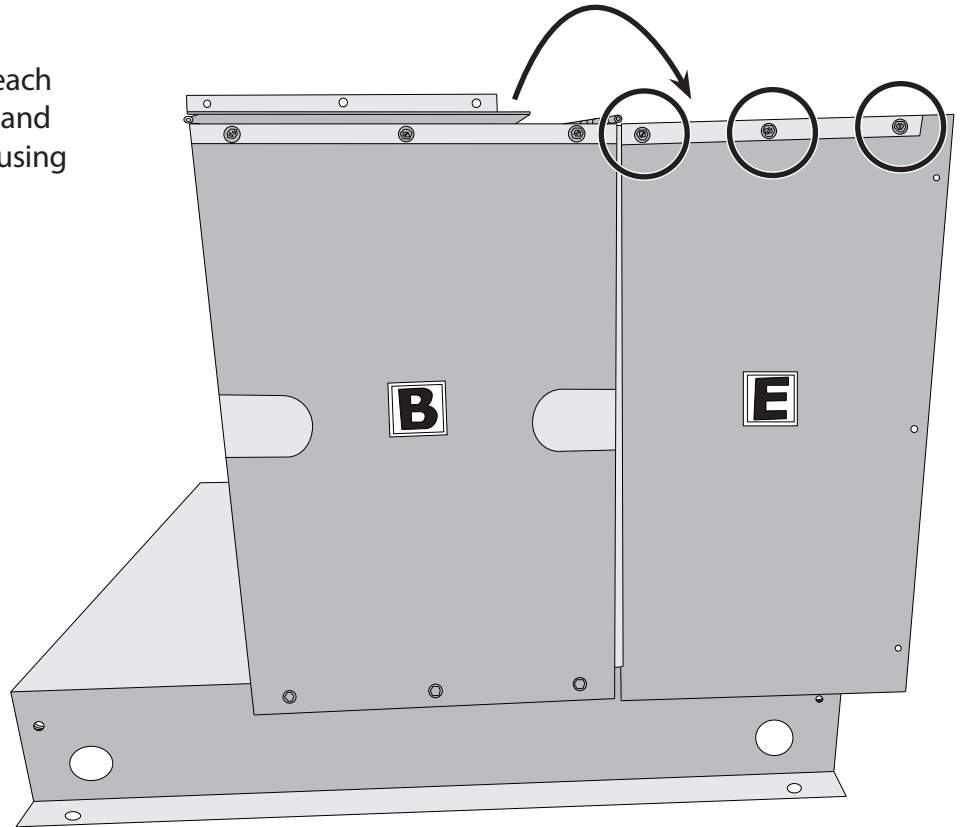
## STEP 8:

Secure panel "C" to both panels "B" using six screws (three screws on each side).



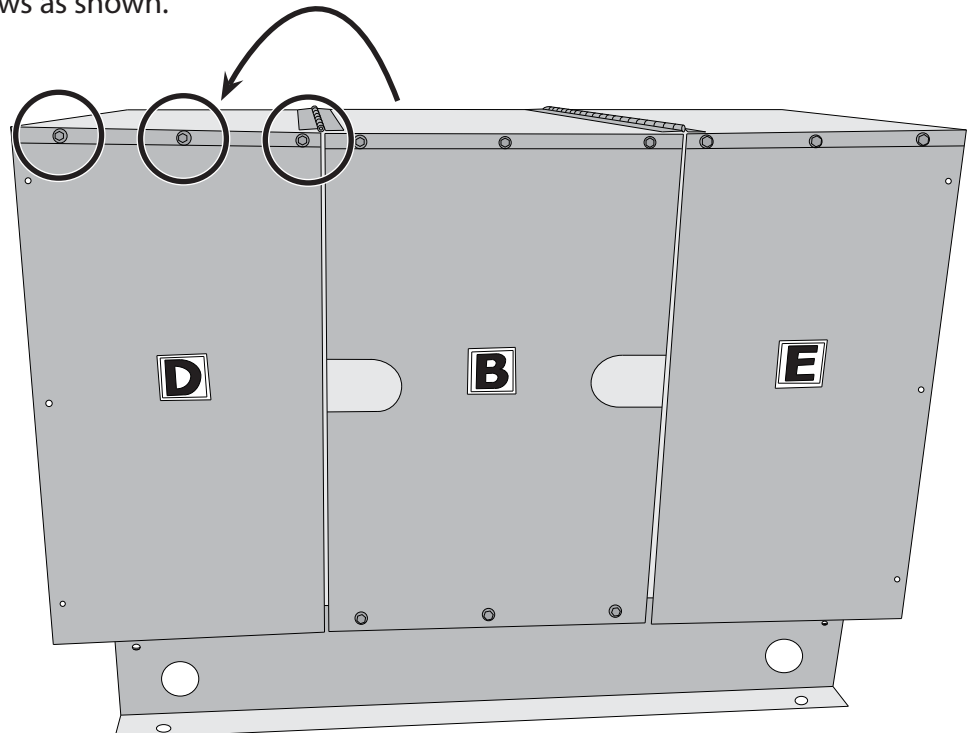
## STEP 9:

Panel "C" has two hinged panels on each side. Swing the panel on your right-hand side down and secure it to panel "E" using three screws as shown.



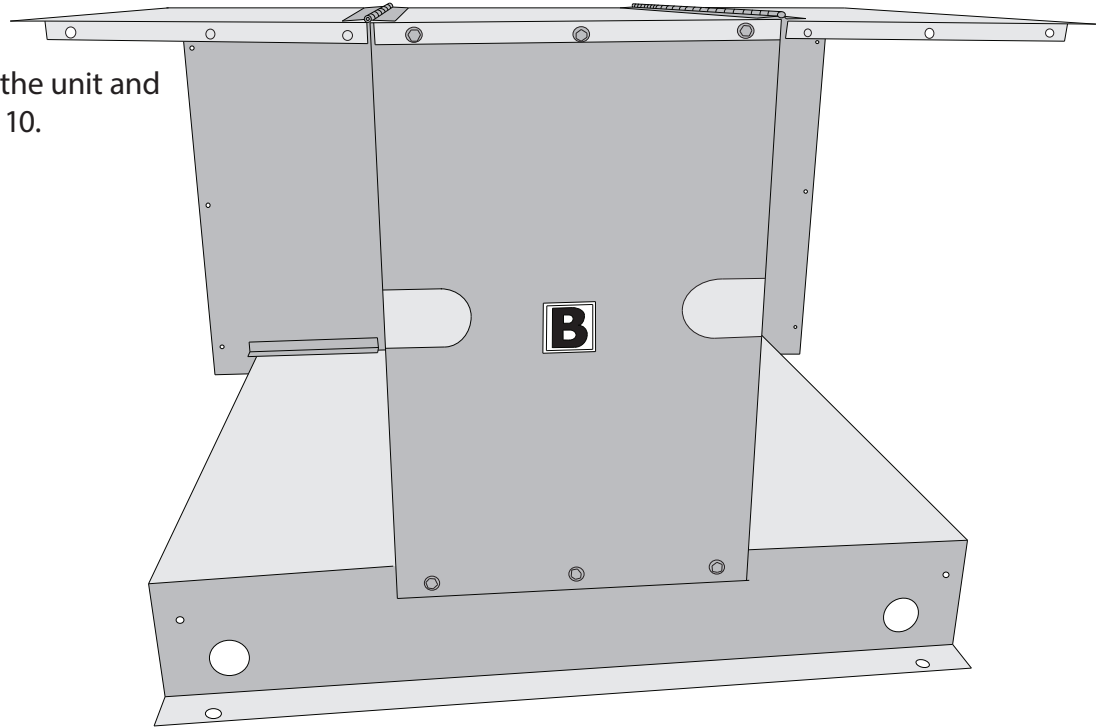
## STEP 10:

Swing the panel on your left-hand side down and secure to panel "D" using three screws as shown.



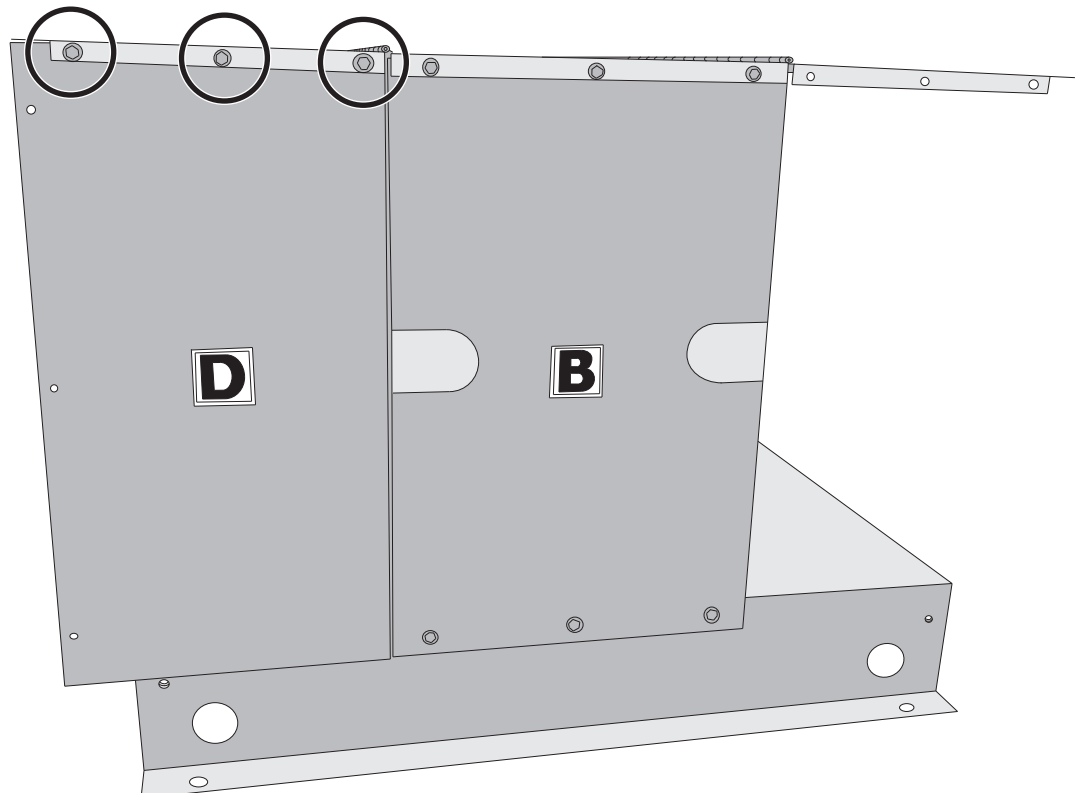
## STEP 11:

Move to the opposite side of the unit and prepare to repeat steps 9 and 10.



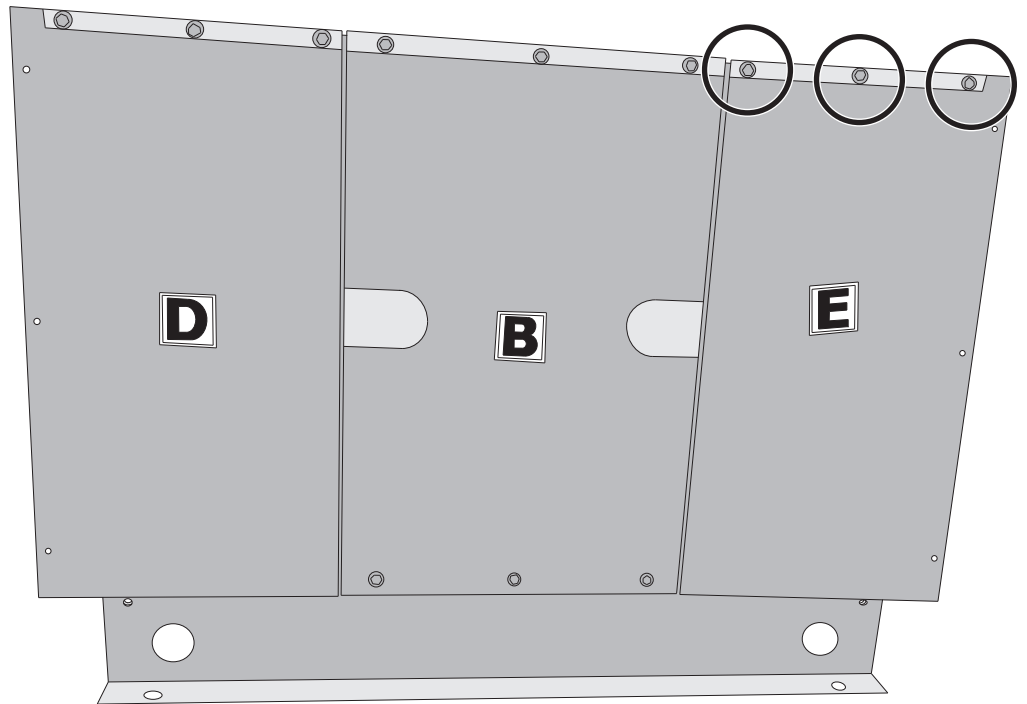
## STEP 12:

Secure panel "C" to panel "D" using three screws as shown.



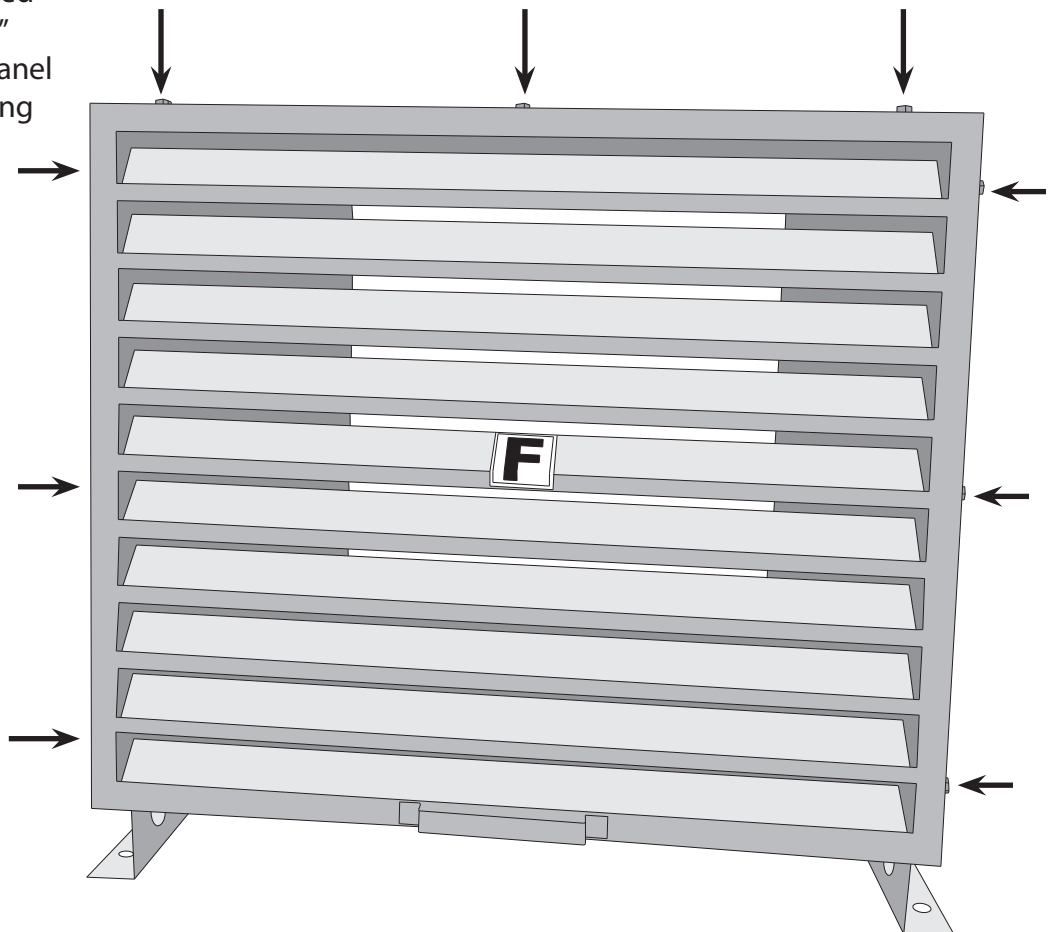
## STEP 13:

Secure panel "C" to panel "E" using three screws as shown.



## STEP 14:

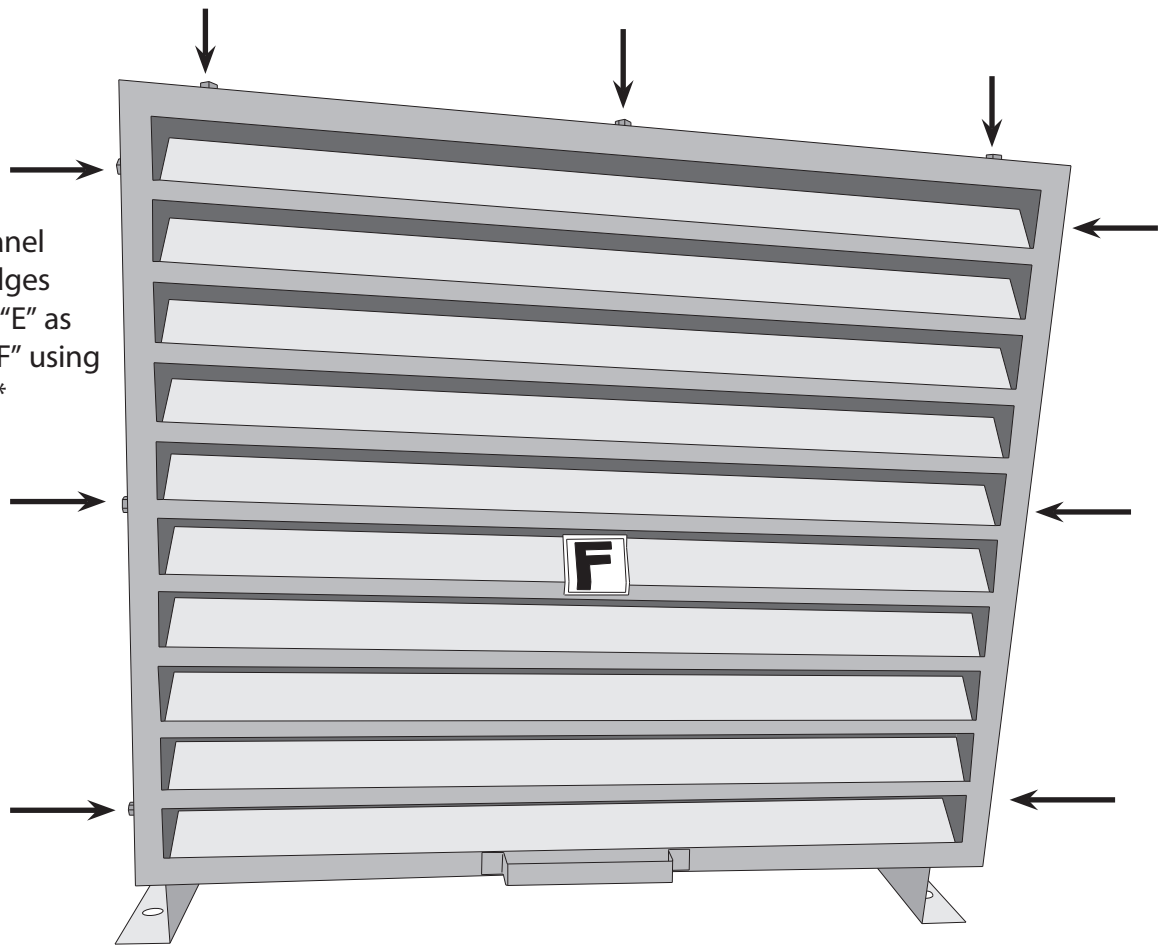
Position one of the panels labeled "F" over the edges of panels "C," "D," and "E" as shown. Secure panel "F" to one end of exterior housing assembly using nine screws as shown.





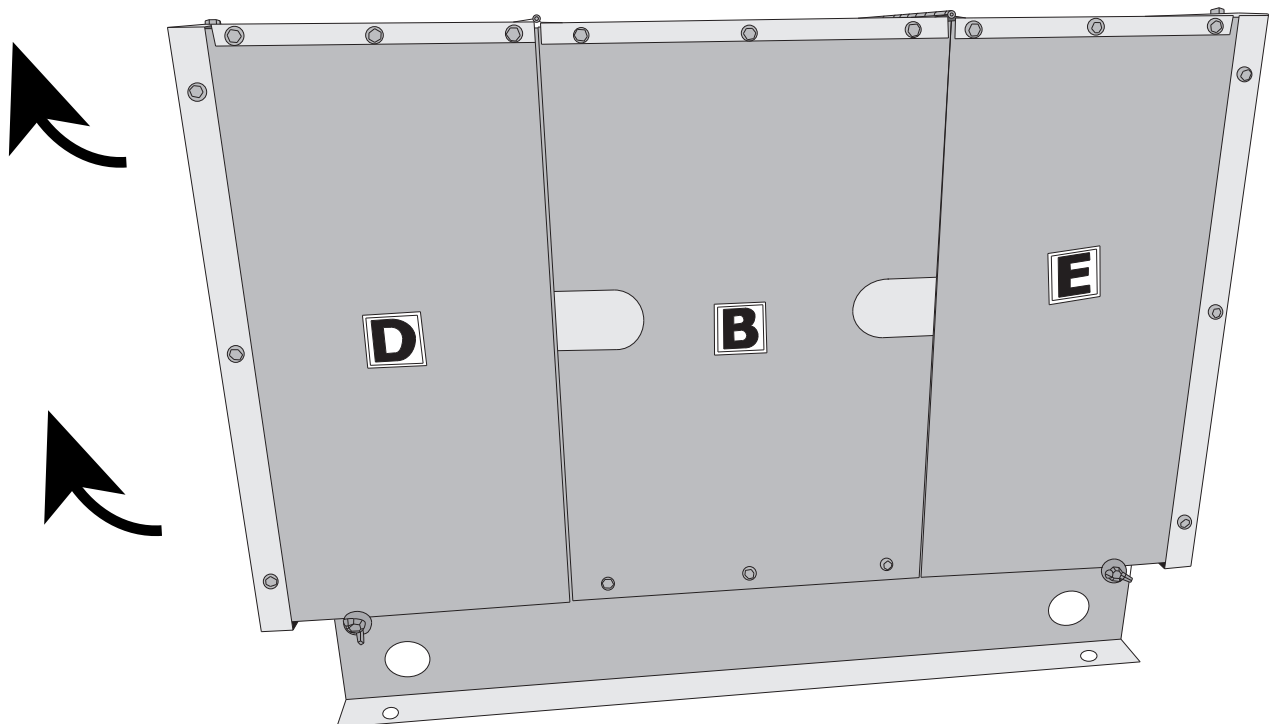
**STEP 15:**

Position the second panel labeled "F" over the edges of panels "C," "D," and "E" as shown. Secure panel "F" using nine screws as shown.\*

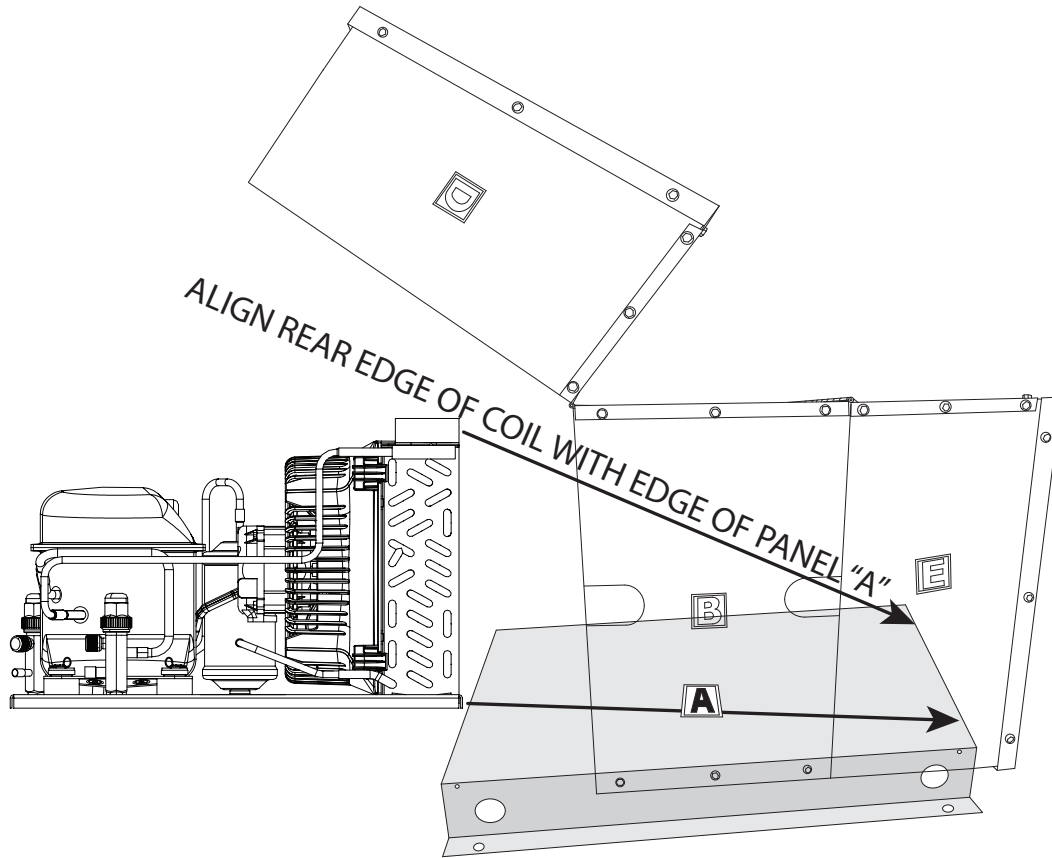


\*When fully assembled, the exterior housing's dimensions are 29 $\frac{5}{8}$ " (length) by 20 $\frac{1}{2}$ " (width) by 20" (height).

**STEP 16:** Flip one end of the exterior housing (panels "D," "E," and "C") up on its hinges, which will give you the necessary access to panel "A."

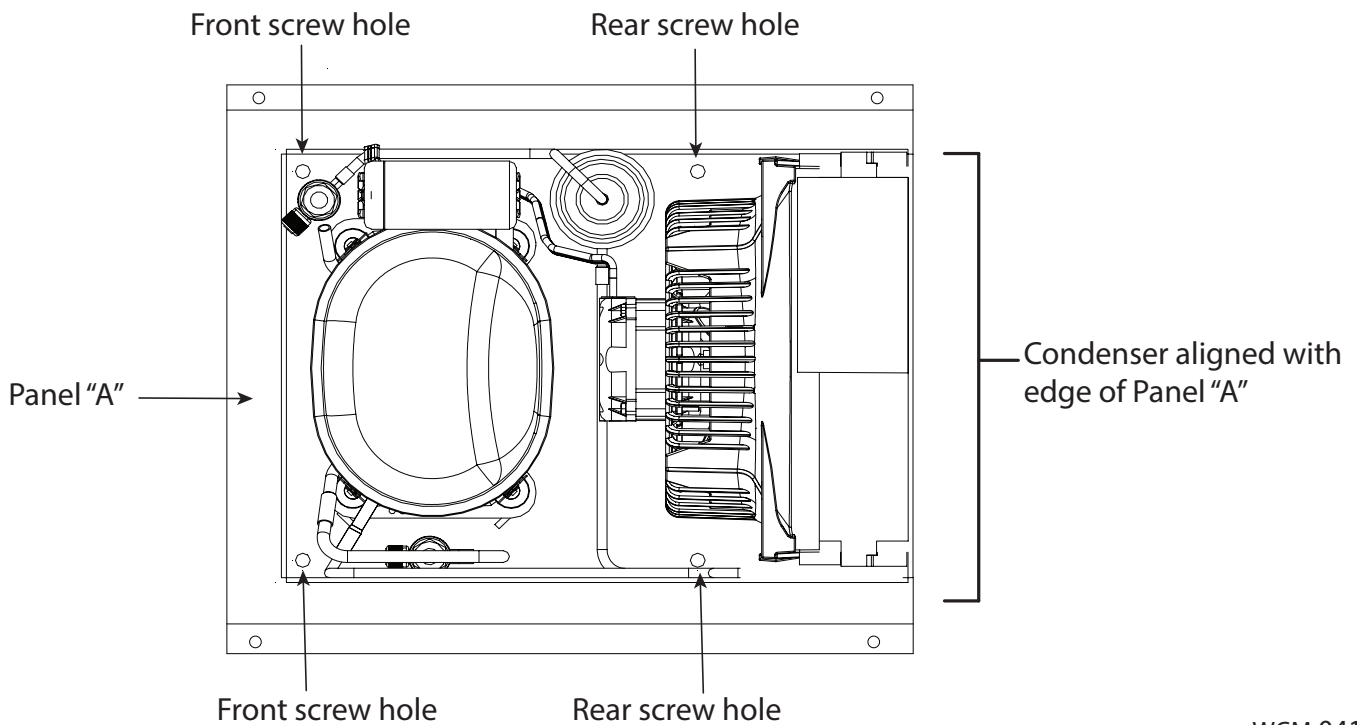


**STEP 17:** Slide the condensing unit into the external housing, making sure to align the far edge (the one with the coil) with the far edge of Panel "A" as shown.



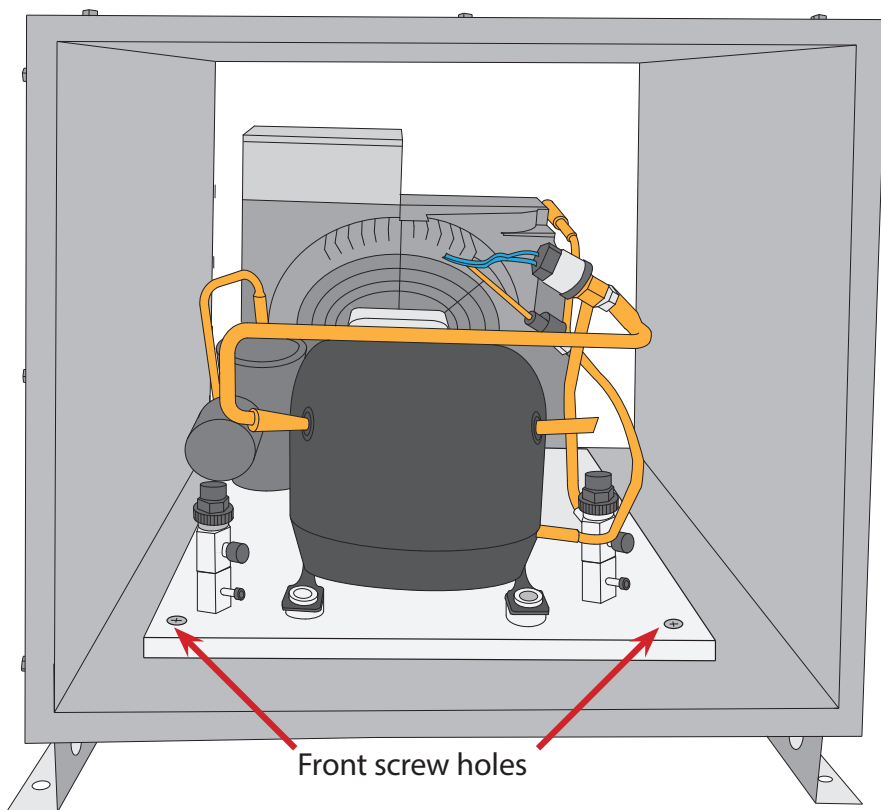
**STEP 18:** Locate the two front screw holes in the base of the condensing unit as shown below.

### OVERHEAD VIEW

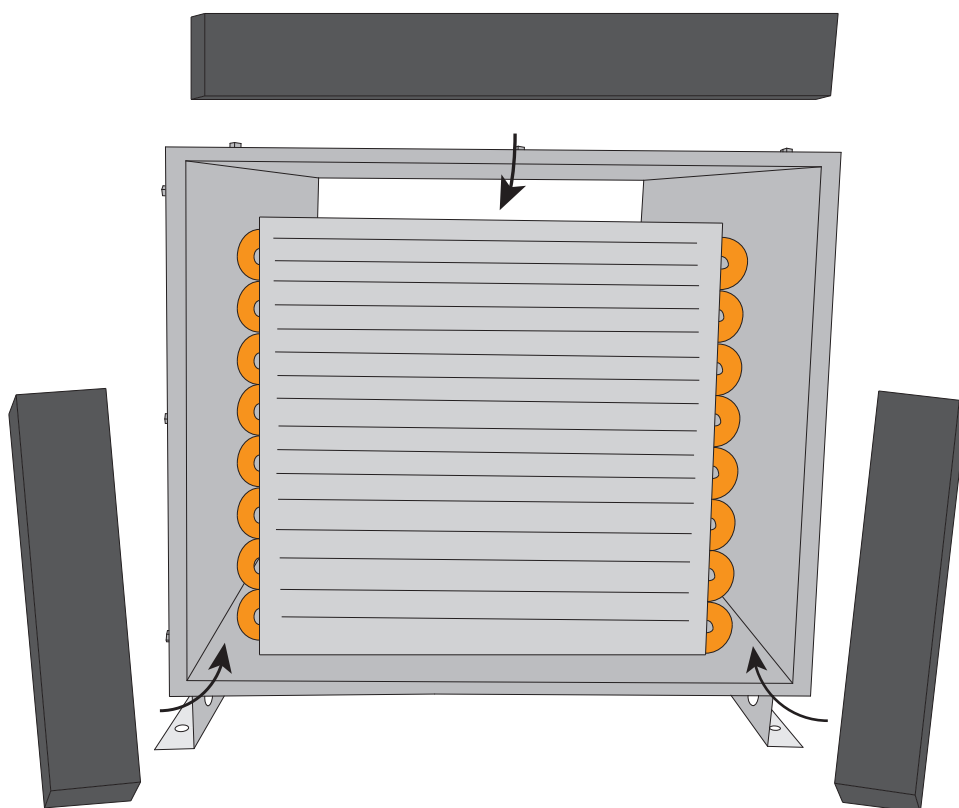


**STEP 19:** Attach condensing unit to panel "A" using the two screw holes shown below. When finished, close the exterior housing. Go around to the other end of the exterior housing and open it. This will give you access to the two rear screw holes near the coil (as shown in Step 18). Insert screws and tighten them down securely.

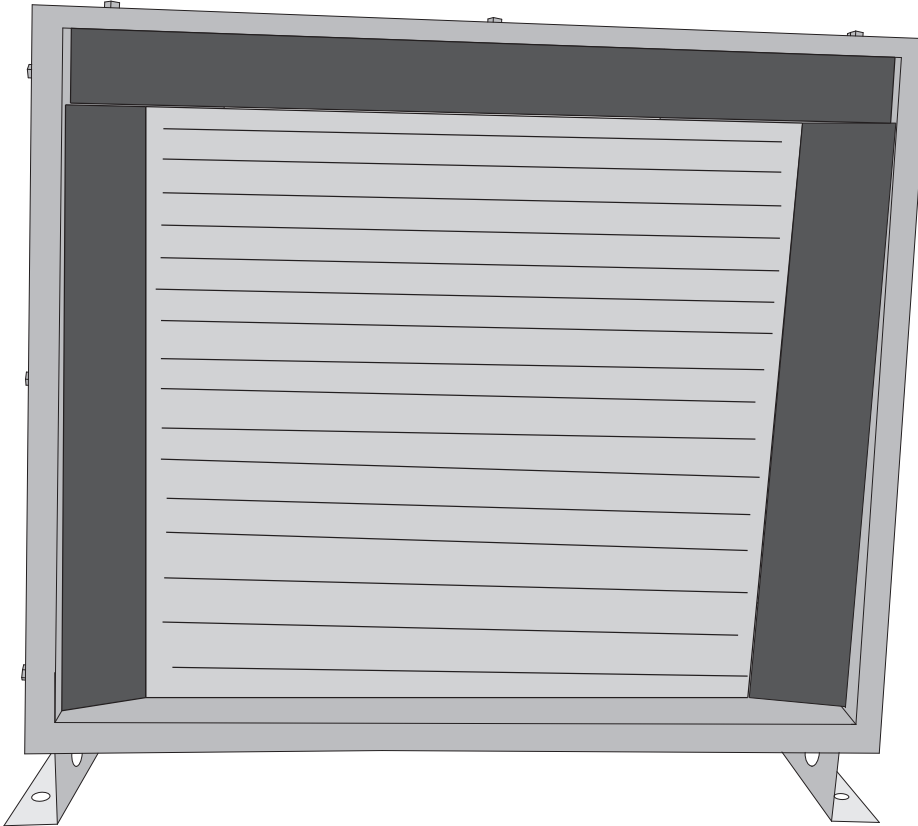
**NOTE:** Mounting hardware for the condensing unit is not provided. Quarter-inch (1/4") bolts with locknuts and washers are recommended.



**STEP 20:** Slide supplied pieces of foam around the coil in the positions shown, fitting them snugly. The long piece of foam goes over the top of the coil and the two shorter pieces fit at the sides.



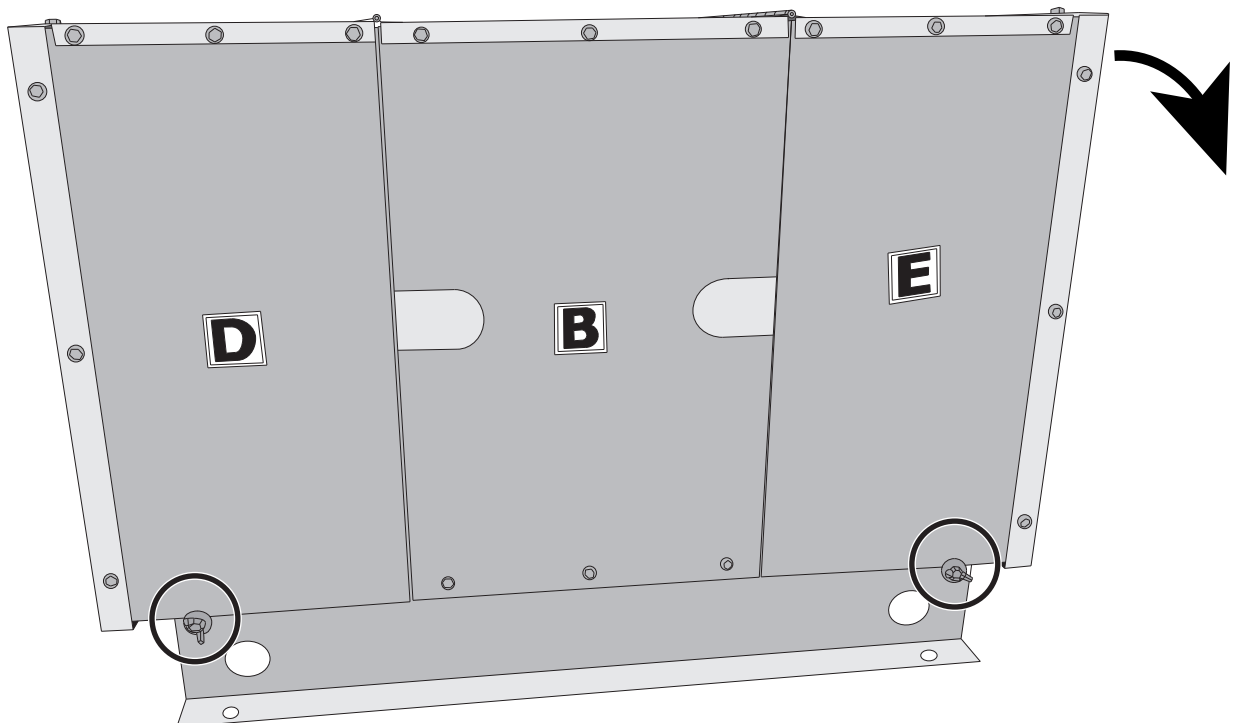
**STEP 21:** The foam should create a tight seal around the condenser coil to ensure that the air crossing the coil is fresh intake air.



**NOTE:** If your condensing unit's electrical box sits atop the coil, you will have to cut a rectangular chunk out of the top piece of foam in order to fit it over the top of the coil.

**STEP 22:** Swing the end of the exterior housing down. Finally, secure the lower sides of panels "D" and "E" using four of the supplied wing bolts (circled below).

**NOTE:** The unit requires a minimum of three feet of clearance in every direction to operate safely. Five feet is ideal.



The exterior housing has been successfully assembled. Please refer to the owner's and technician's manuals for further technical and customer support information.