

HUMIDIFICATION

WINE CELLAR COOLING SYSTEMS

Preserve your collection of fine wine with a finer cooling system.

As with all Wine Guardian® products, our humidifiers are uniquely designed to deliver superior performance and reliability, just what you need to ensure that your fine wine collection ages as its finest.

Humidifier features

All Wine Guardian humidifier models include the following:

- Digital controls work off of Wine Guardian's remote indicator. There's no need for separate controller.
- Evaporative drip pad system with removable, cleanable pad
- Built-in fans for optimal air circulation
- Commercial grade and lightweight, corrosion-resistant components
- 25 feet (8 meters) of control cable pre-wired to the unit for easy plug in
- Drip pad access cover for easy maintenance
- Warranted to two years (parts) and one year (labor)
- Made in the USA

Additional features:

Integrated Model

- Installs on either side of system for application flexibility
- 24-volt power directly from Wine Guardian unit; no separate power source required
- Uses same WG remote interface for control and readout

Freestanding (for all models including Through-the-Wall)

- Sleek, modern supply grille (removable)
- Can be mounted through the wall, through the racking or on the wall for installation flexibility
- Includes sealed, plug-in transformer and lead cord to allow the unit to operate independently of the cellar cooling system
- Can be used with competitive wine cooling systems



Models



Humidifier integrated with ductable split system shown on evaporator section (also available on ducted systems)



Freestanding (wall-mounted) humidifier



Freestanding (through-wall mounted) humidifier



AIR INNOVATIONS Wine Guardian® is a registered trademark of Air Innovations®

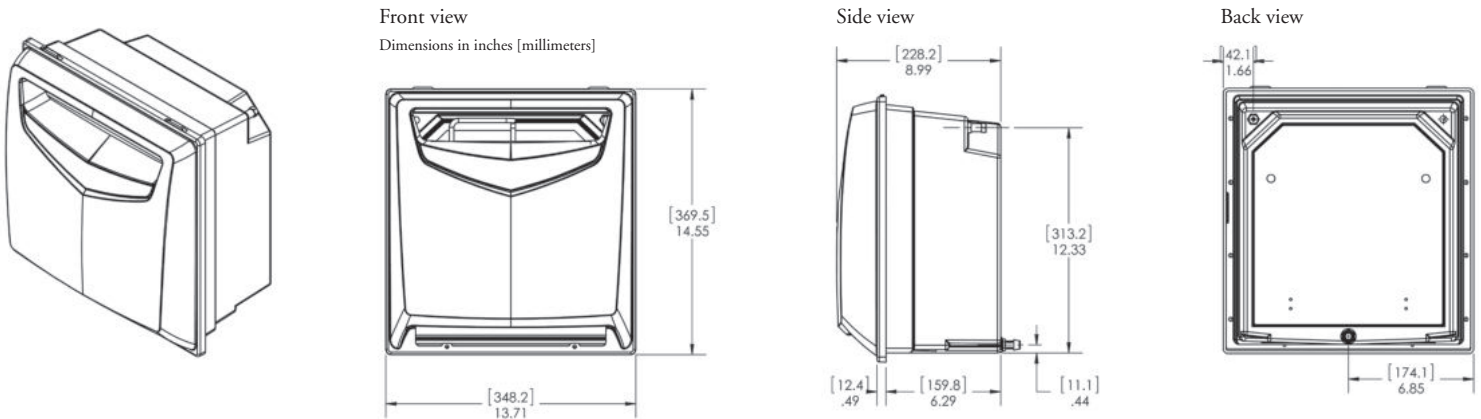


HUMIDIFICATION

WINE CELLAR COOLING SYSTEMS

What you need to know about Wine Guardian humidifiers

- Wine Guardian's humidifiers are specifically designed for wine cellars. They are easy to install and operate, as either freestanding or integrated units.
- Wine Guardian uses the WG control system to sense and control the amount of moisture that needs to be added to the cellar.
- Water supply and drain lines are conveniently located for ease of installation and service.
- Humidifier can be mounted within the racking, through wine cellar wall or mounted to a wall using the appropriate mounting bracket.
- Wine Guardian humidifiers are designed for minimal maintenance. However, a regular maintenance program prolongs the life of the humidifier and helps maintain the humidity in the cellar.
- Your authorized Wine Guardian distributor can assist you in specifying the correct model for your cellar's particular needs.



HUMIDIFIER SPECIFICATIONS

Removable drip pad with integral fan

Supply water	Temperature 60 Deg F (16 Deg C) 100 Deg F (38 Deg C)	Capacity 0.42 lbs/hr (0.19 kg/hr) 1.0 lbs/hr (0.45 kg/hr)
Controls	Cellar-mounted Wine Guardian remote interface controller	
Power Requirements	115 volt, 1 phase, 60 hz (220/240 volt, 1 phase) as freestanding 24-volt (24-volt), direct connected to Wine Guardian	
Weight	10 lbs (4.5 kg)	

Contact your authorized Wine Guardian distributor for information pertaining to integrated humidification.

Wine Guardian® systems are made in the USA by Air Innovations®. Manufacturer reserves right, without notice, to make changes to specifications at its sole discretion.

Wine Guardian® Through-the-Wall Cooling System US Pat. No. D634760.

EasyMount™ is a trademark of Air Innovations. Wine Guardian® is a registered trademark of Air Innovations®.

Rev. January 2013