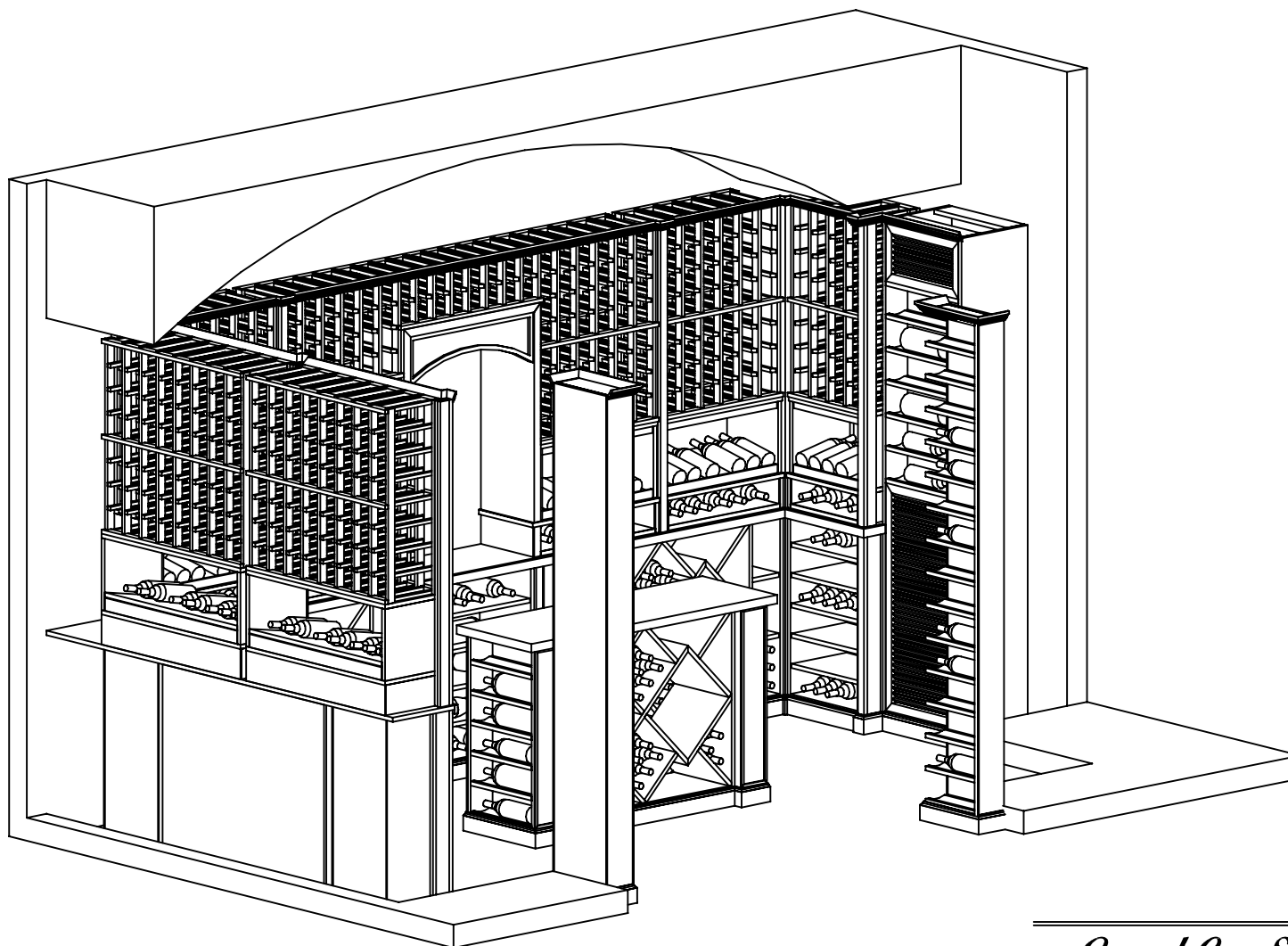


Bottle count:  
1174



*-Grand Cru Series-*

Project:

Drawn by: *GL*

**Rosehill**  
WINE CELLARS

339 Olivewood Road  
Toronto, On M8Z 2Z6  
416-285-6604

[www.rosehillwinecellars.com](http://www.rosehillwinecellars.com)

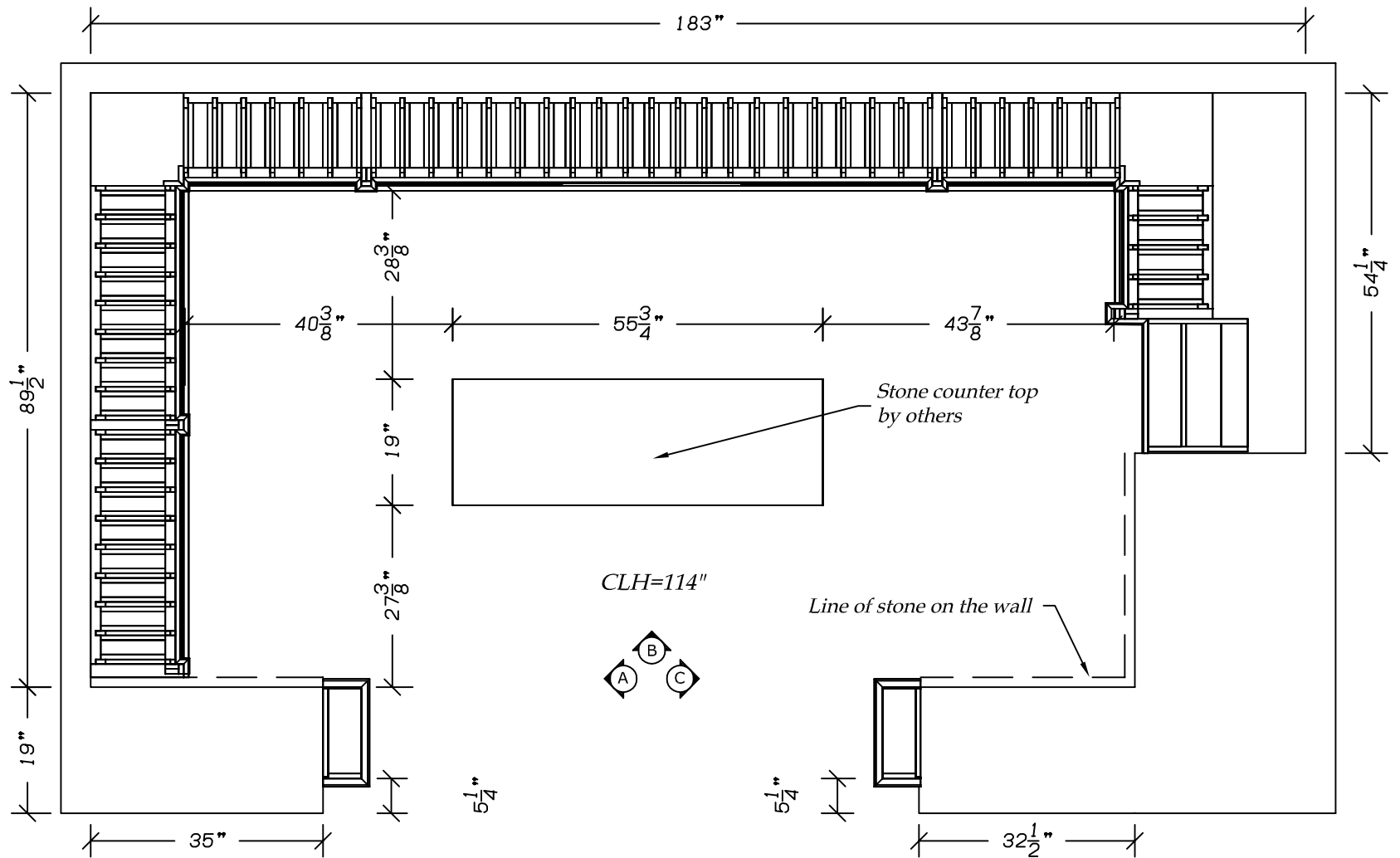
*Overall View*

*1 - 6*

Revision #: 4

Scale:

DESIGN PLANS ARE PROVIDED FOR THE FAIR USE BY THE CLIENT OR HIS AGENT IN COMPLETING THE PROJECT AS LISTED WITHIN THIS CONTRACT. DESIGN PLANS REMAIN PROPERTY OF THIS COMPANY AND CANNOT BE USED OR REUSED WITHOUT PERMISSION. ALL DIMENSIONS AND SIZE DESIGNATIONS GIVEN ARE SUBJECT TO VERIFICATION ON JOB SITE AND ADJUSTMENT TO FIT JOB CONDITIONS.



Project:

Drawn by: *GL*

Revision #: 4

Scale:

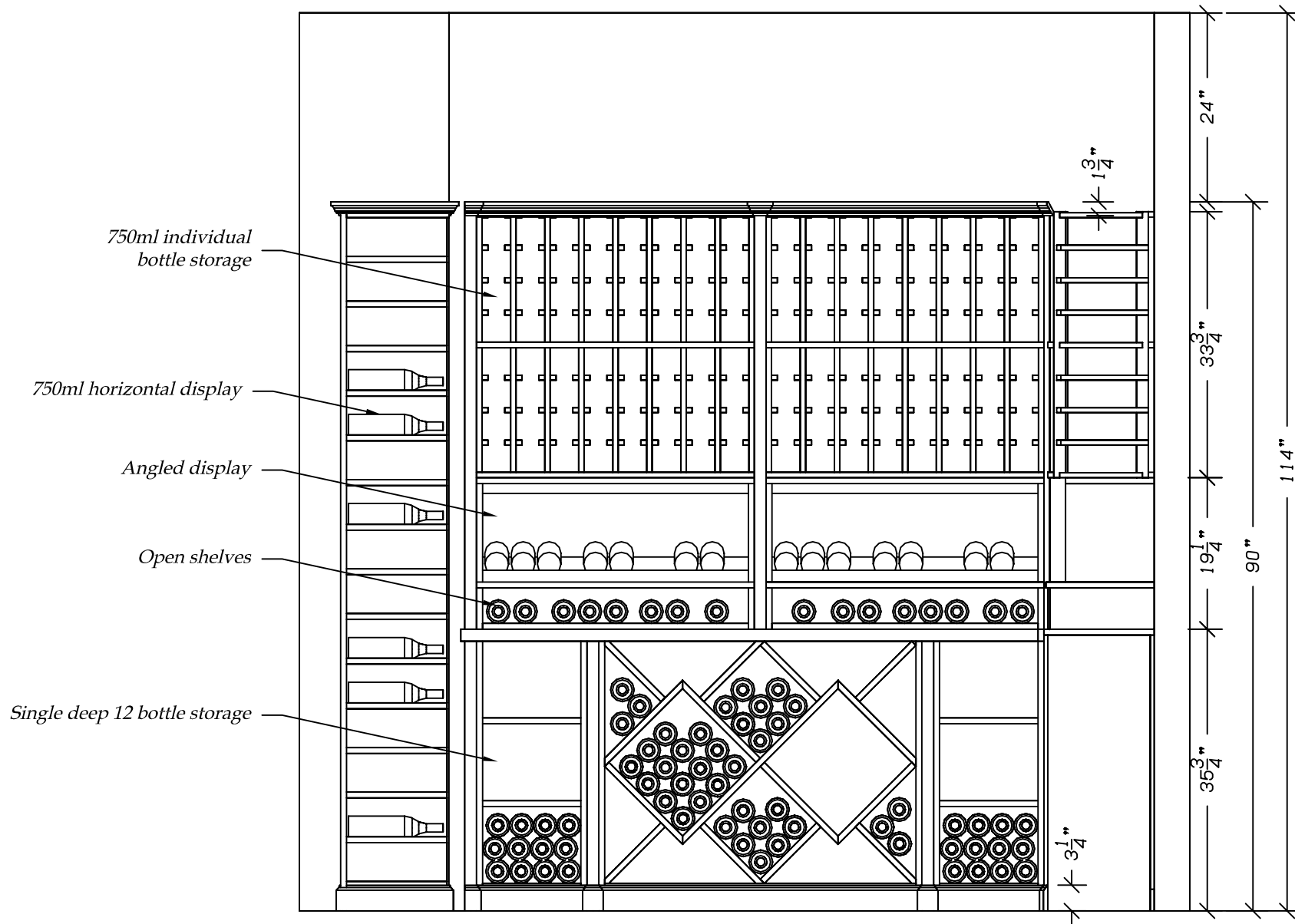
**Rosehill**  
WINE CELLARS

339 Olivewood Road  
Toronto, On M8Z 2Z6  
416-285-6604

[www.rosehillwinecellars.com](http://www.rosehillwinecellars.com)

*Plan View*

2 - 6



Project:

Drawn by: *GL*

**Rosehill**  
WINE CELLARS

339 Olivewood Road  
Toronto, On M8Z 2Z6  
416-285-6604

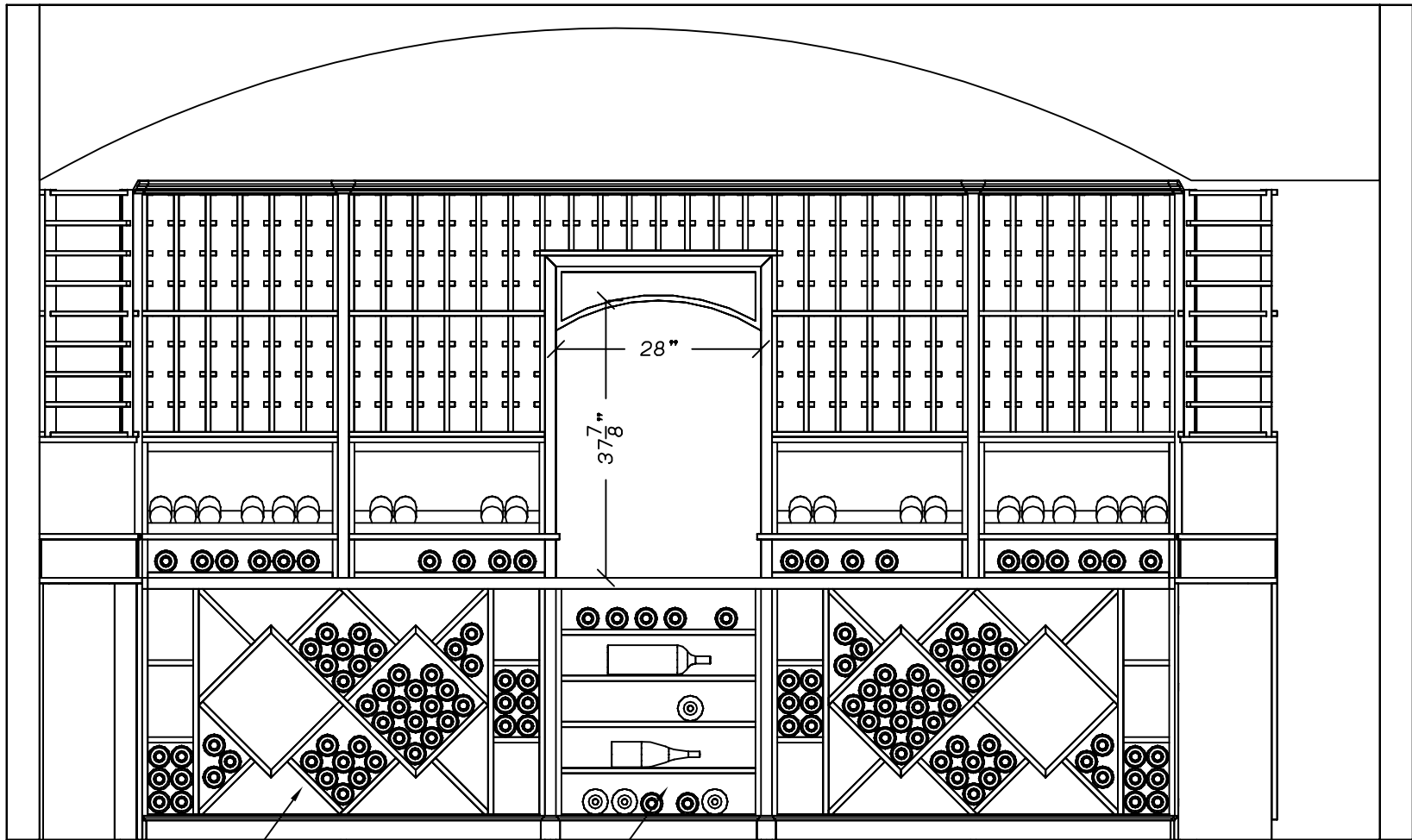
[www.rosehillwinecellars.com](http://www.rosehillwinecellars.com)

*Elevation A*

3 - 6

Revision #: 4

Scale:



Single deep diamond bin

Open shelves for bulk storage

Project:

Drawn by: *GL*

**Rosehill**  
WINE CELLARS

339 Olivewood Road  
Toronto, On M8Z 2Z6  
416-285-6604

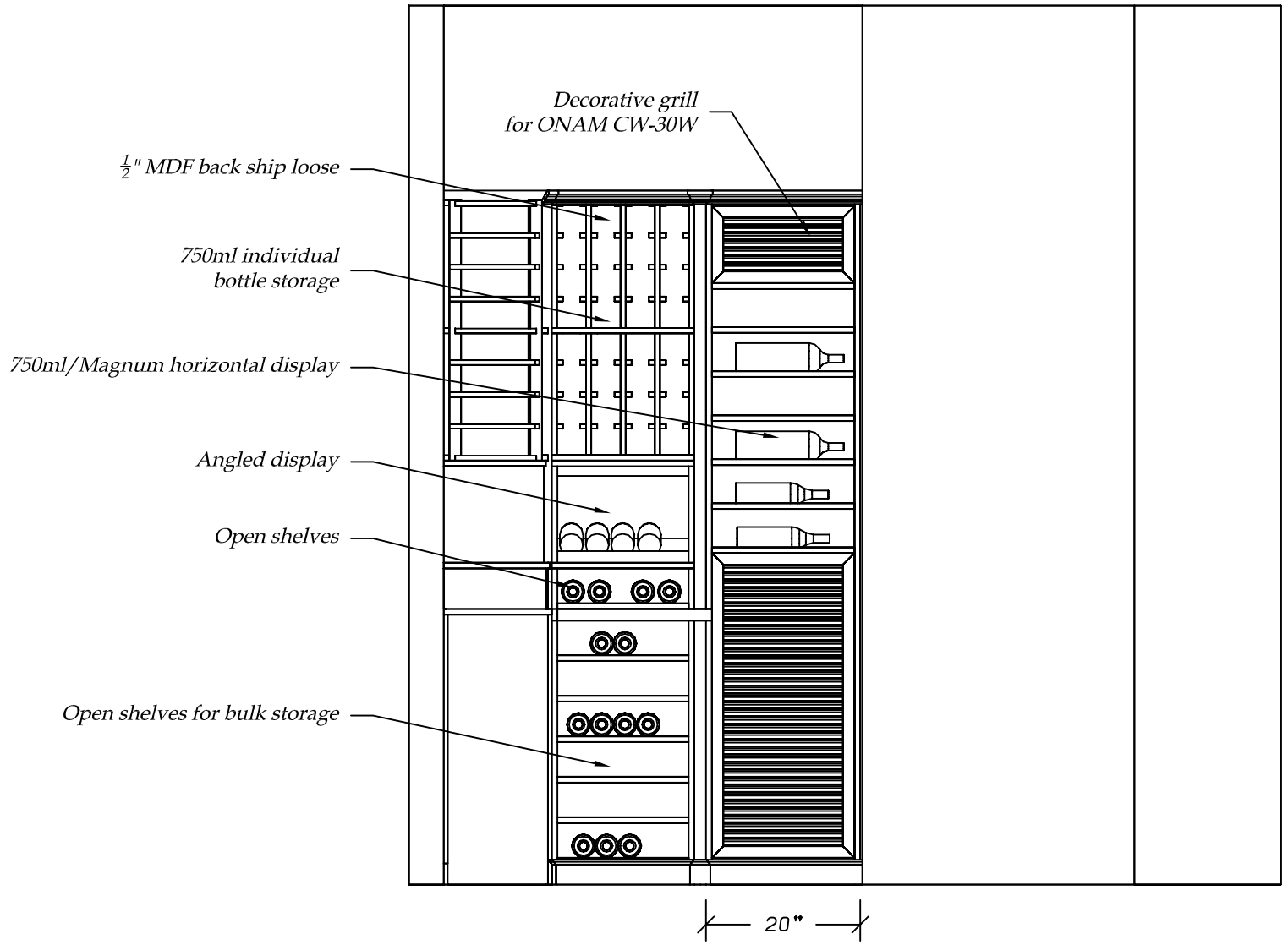
[www.rosehillwinecellars.com](http://www.rosehillwinecellars.com)

*Elevation B*

4 - 6

Revision #: 4

Scale:



Project:

Drawn by: *GL*

**Rosehill**  
WINE CELLARS

339 Olivewood Road  
Toronto, On M8Z 2Z6  
416-285-6604

[www.rosehillwinecellars.com](http://www.rosehillwinecellars.com)

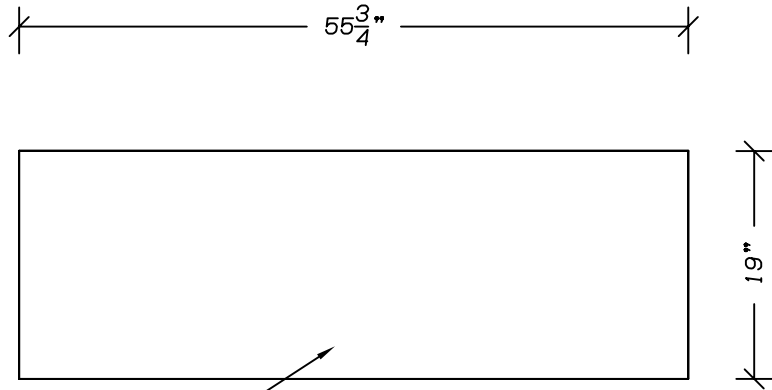
*Elevation C*

5 - 6

Revision #: 4

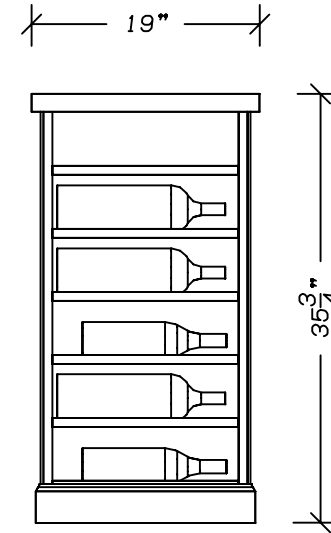
Scale:

Top view

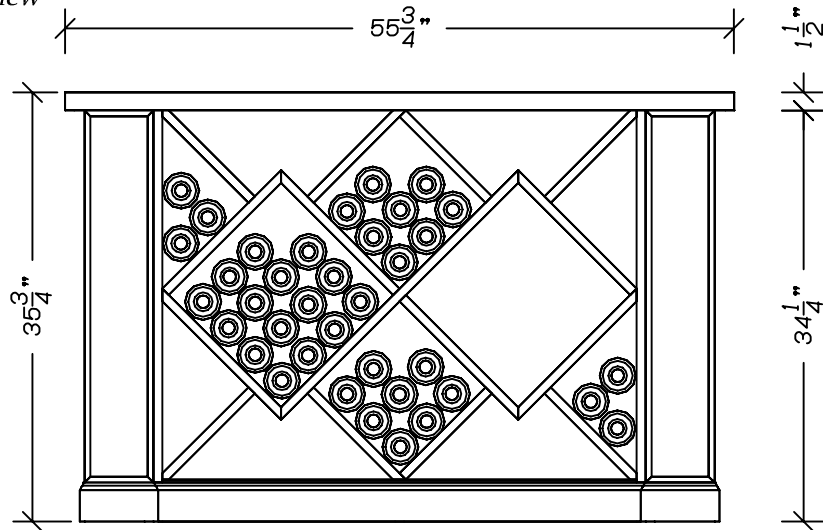


Stone counter top  
by others

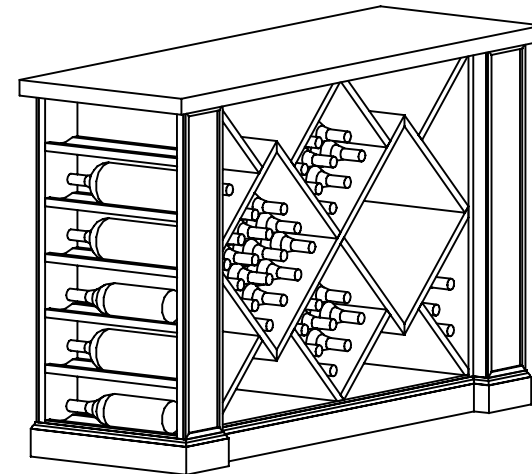
Side view



Front view



Iso view



Project:

Drawn by: *GL*

**Rosehill**  
WINE CELLARS

339 Olivewood Road  
Toronto, On M8Z 2Z6  
416-285-6604

[www.rosehillwinecellars.com](http://www.rosehillwinecellars.com)

*Tasting Table*

6 - 6

Revision #: 4

Scale: